

QUICK FITTINGS STANDARD TYPE

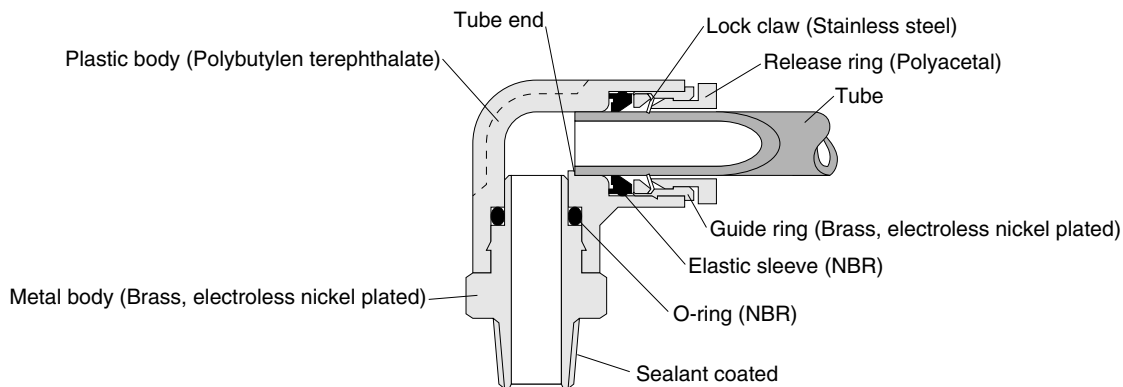
- A wide selection of 53 types and 640 variations, in all shapes and sizes, allows detailed support ranging from compact to medium and large.
- Simple and quick assembly for speedy connections.
- Compatibility between nylon and urethane tubes, sealed thread portions, and other features boosts ease of use.

Specifications

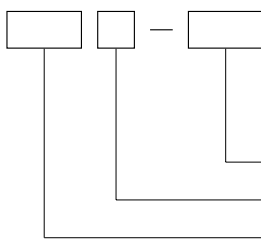
Media	Air
Maximum operating pressure	0.9MPa [131psi.]
Operating vacuum pressure	-100kPa [-29.54in.Hg]
Operating temperature range	0~60°C [32~140°F]
Recommended tube	Nylon tube, urethane tube
Sales unit	1 pack (10 pcs.) (For ϕ 16 [0.630in.], 1 pack (5 pcs.))

Remark: Supplied with a gasket or sealant coated.

Inner Construction, Major Parts and Materials



Order Codes



※ For the fitting models, the tube size, and thread combinations, see p.254~258.

Remark: For the stainless (SUS303) specification, see p.278~289.
 For the stainless (SUS304) specification, see p.290~301.
 For the NCU specification, see p.302~305.
 For the non-lubricant specification, see p.306~309.

●TS Straight 259



Tube size	Thread size					
	M5×0.8	M6×1	R1/8	R1/4	R3/8	R1/2
4	M50	M5	M6	01	02	—
6	—	M5	M6	01	02	03
8	—	—	01	02	03	—
10	—	—	01	02	03	04
12	—	—	—	02	03	04
16	—	—	—	—	03	04

●TSH Straight with hexagon socket 259



Tube size	Thread size					
	M5×0.8	M6×1	R1/8	R1/4	R3/8	R1/2
4	M5	M6	01	—	—	—
6	M5	M6	01	02	—	—
8	—	—	01	02	03	—
10	—	—	—	02	03	04
12	—	—	—	—	03	04

●TSM Female straight 260



Tube size	Thread size		
	Rc1/8	Rc1/4	Rc3/8
4	01	02	—
6	01	02	—
8	01	02	03
10	—	02	03
12	—	02	03

●US Union straight 260



Tube size
4
6
8
10
12
16

●USD Different diameter union 260



Tube size
6-4
8-6
10-8
12-10
16-12

●UK Union for bulkhead 261



Tube size
4
6
8
10
12

Body : Aluminum alloy (black anodized)
Nut : Brass (nickel plated)

●UKM Female union for bulkhead 261



Nut : Brass (nickel plated)

Tube size	Thread size			
	Rc1/8	Rc1/4	Rc3/8	Rc1/2
4	01	—	—	—
6	01	02	—	—
8	01	02	03	—
10	—	02	03	—
12	—	—	03	04

●UKB Union for bulkhead B 261



Tube size
4
6
8
10
12

Body : Polybutylene terephthalate
Nut : Aluminum alloy (anodized)

●UR Reducer 262



Tube size	Socket size
4	6, 8
6	8, 10, 12
8	10, 12
10	12

●TL Elbow 262



Tube size	Thread size					
	M5×0.8	M6×1	R1/8	R1/4	R3/8	R1/2
4	M5	M6	01	02	—	—
6	M5	M6	01	02	03	—
8	—	—	01	02	03	—
10	—	—	—	01	02	03
12	—	—	—	02	03	04
16	—	—	—	—	03	04

● **TLL** Long elbow 263



Tube size	Thread size				
	M5×0.8	R1/8	R1/4	R3/8	R1/2
4	M5	01	—	—	—
6	—	01	02	03	—
8	—	01	02	03	—
10	—	—	02	03	04
12	—	—	02	03	04

● **SL** Swing elbow 263



Tube size	Thread size					
	M5×0.8	M6×1	R1/8	R1/4	R3/8	R1/2
4	M5	M6	01	—	—	—
6	M5	M6	01	02	—	—
8	—	—	01	02	03	—
10	—	—	—	02	03	—
12	—	—	—	—	03	04
16	—	—	—	—	03	04

● **SLH** Hexagon socket head swing elbow 264



Tube size	Thread size				
	M5×0.8	R1/8	R1/4	R3/8	R1/2
4	M5	—	—	—	—
6	—	01	02	—	—
8	—	01	02	03	—
10	—	—	02	03	—
12	—	—	—	03	04

● **SLM** Female swing elbow 264



Tube size	Thread size				
	M5×0.8	R·Rc1/8	R·Rc1/4	R·Rc3/8	R·Rc1/2
4	M5	01	—	—	—
6	M5	01	02	—	—
8	—	01	02	03	—
10	—	—	02	03	—
12	—	—	—	03	04

● **UL** Union elbow 265



Tube size
4
6
8
10
12
16

● **UKBL** Union elbow for bulkhead 265



Tube size
4
6
8
10
12

Seal for non-rotating

Body: Polybutylene terephthalate
Nut: Aluminum alloy (anodized)
Seal: Synthetic rubber (NBR)

● **ULA** Socket elbow 265



Tube size	Socket size
4	4
6	6
8	8
10	10
12	12

● **ULAL** Long socket elbow 266



Tube size	Socket size
4	4
6	6
8	8
10	10
12	12

● **ULAD** Different diameter socket elbow 266



Tube size	Socket size
4	6
6	8
8	10
10	12

● **TT Tee** 266



Tube size	Thread size					
	M5×0.8	M6×1	R1/8	R1/4	R3/8	R1/2
4	M5	M6	01	02	—	—
6	M5	M6	01	02	03	—
8	—	—	01	02	03	—
10	—	—	—	02	03	04
12	—	—	—	02	03	04
16	—	—	—	—	03	04

● **TB Branch tee** 267



Tube size	Thread size					
	M5×0.8	M6×1	R1/8	R1/4	R3/8	R1/2
4	M5	M6	01	02	—	—
6	M5	M6	01	02	03	—
8	—	—	01	02	03	—
10	—	—	—	02	03	04
12	—	—	—	02	03	04
16	—	—	—	—	03	04

● **UT Union tee** 267



Tube size
4
6
8
10
12
16

● **UTD Different diameter union tee** 268



Tube size
6-4
8-6
10-8
12-10

● **TBY Branch Y** 268



Tube size	Thread size					
	M5×0.8	M6×1	R1/8	R1/4	R3/8	R1/2
4	M5	—	01	02	—	—
6	M5	M6	01	02	03	—
8	—	—	01	02	03	—
10	—	—	—	02	03	04
12	—	—	—	02	03	04

● **TBLY Branch elbow Y** 269



Tube size	Thread size					
	M5×0.8	M6×1	R1/8	R1/4	R3/8	R1/2
4	M5	M6	01	02	—	—
6	M5	M6	01	02	03	—
8	—	—	01	02	03	—
10	—	—	—	02	03	04
12	—	—	—	02	03	04

● **SLY Swing elbow Y** 269



Tube size	Thread size
4	M5(M5×0.8)
6	01(R1/8)
8	02(R1/4)
10	03(R3/8)
12	04(R1/2)

● **SLYM Female swing elbow Y** 269




Tube size	Thread size
4	M5(M5×0.8)
6	01(R·Rc1/8)
8	02(R·Rc1/4)
10	03(R·Rc3/8)
12	04(R·Rc1/2)

● **UY Union Y** 270




Tube size
4
6
8
10
12

● **UYD** Different diameter union Y 270




Tube size
6-4
8-6
10-8
12-10

● **ULY** Union elbow Y 270



Tube size
4
6
8
10
12


● **UB** Branch union Y 271



Tube size	Socket size
4	4
6	6
8	8
10	10
12	12

Socket : Nylon 11


● **UBD** Different diameter branch union Y 271



Tube size	Socket size
4	6
6	8
8	10
10	12


Socket : Nylon 11

● **UZ** Tetra union 271




Tube size
4
6
8
10
12

● **TBZ** Branch tetra 272




Tube size	Thread size					
	M5X0.8	M6X1	R1/8	R1/4	R3/8	R1/2
4	M5	M6	01	02	—	—
6	M5	M6	01	02	03	—
8	—	—	01	02	03	—
10	—	—	—	02	03	04
12	—	—	—	02	03	04

● **UWD** Different diameter double Y 272



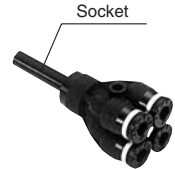
Tube size
6-4
8-6

● **TBW** Branch double Y 272



Tube size	Thread size	
	R1/8	R1/4
4	01	02
6	01	—

● **UBW** Branch union double Y 273



Tube size	Socket size
4	6
6	8


Socket : Nylon 11

● **UED** Different diameter triple 273



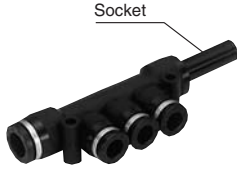
Tube size
6-4
8-4
8-6
10-6
10-8

● **TBE** Branch triple 273



Tube size	Thread size		
	R1/8	R1/4	R3/8
6-4	01	—	—
8-4	—	02	—
8-6	—	02	—
10-8	—	—	03

● **UBE** Branch union triple 274



Socket

Tube size
6-4
8-4
8-6
10-8

Socket : Nylon 11

● **TBEW** Branch triple double 274



Tube size	Thread size		
	R1/4	R3/8	R1/2
8-4	02	03	—
8-6	02	03	—
10-6	—	03	04
10-8	—	03	04

● **UEDW** Different diameter triple double 275



Tube size
8-4
8-6
10-6
10-8

● **TJ** Jack 275



Tube size	Thread size				
	M5×0.8	R1/8	R1/4	R3/8	
4	M5	01	—	—	—
6	M5	01	02	—	—
8	—	01	02	03	—
10	—	—	—	03	—

● **AN** Socket nipple 275



Socket size
4
6
8
10
12
16

Material : Nylon 11

● **AND** Different diameter socket nipple 276



Socket size
6-4
8-6
10-8
12-10
16-12

Material : Nylon 11

● **BB** Extension bushing 276



Thread size	Thread size				
	M5×0.8	Rc1/8	Rc1/4	Rc3/8	Rc1/2
M5(M5×0.8)	M5, M5L	01	—	—	—
01(R1/8)	M5	01	02	03	—
02(R1/4)	M5	01	02	03	04
03(R3/8)	—	01	02	03	04
04(R1/2)	—	—	—	—	04

● **BBD** Different diameter extension socket 276



Thread size	Thread size			
	M5×0.8	Rc1/8	Rc1/4	Rc3/8
01(Rc1/8)	M5	—	—	—
02(Rc1/4)	—	01	—	—
03(Rc3/8)	—	01	02	—
04(Rc1/2)	—	—	02	03

● **UP** Plug 277



Material : Nylon 11

● **UC** Cap 277

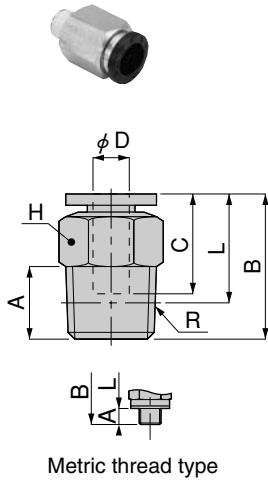


Tube size
4
6
8
10
12
16

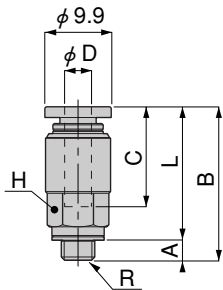
Tube size
4
6
8
10
12

Dimensions (mm)

Straight TS



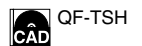
TS4-M50



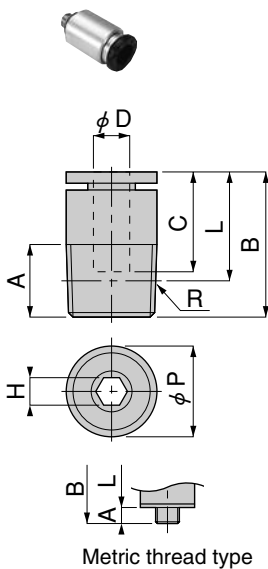
Model	Tube outer diameter ϕD	R	A	B	L ^{Note}	C	Width across flats H	Effective area (mm ²)	Mass (g) [oz.]
TS4-M5	4	M5×0.8	3	20	17	14.9	10	1.9	6.3 [0.222]
TS4-M50				22.9	19.9		8		6.6 [0.233]
TS4-M6		M6×1	4	21	17		10	6.2	6.4 [0.226]
TS4-01		R1/8	8				5.3	8.3 [0.293]	
TS4-02	R1/4	11		15	14		16 [0.56]		
TS6-M5	6	M5×0.8	3	22.1	19.1	17	12	1.9	9.2 [0.325]
TS6-M6		M6×1	4	23.1				6.2	9.4 [0.332]
TS6-01		R1/8	8	22.6	18.6		12.5		9.3 [0.328]
TS6-02		R1/4	11	24.6	18.5			14	18 [0.63]
TS6-03		R3/8	12	23.6	17.2			17	28 [0.99]
TS8-01	8	R1/8	8	27.9	23.9	18.2	14	20	16 [0.56]
TS8-02		R1/4	11	26.6	20.6				17
TS8-03		R3/8	12	23.9	17.6				
TS10-01	10	R1/8	8	30.3	26.3	20.7	17	22.9	24 [0.85]
TS10-02		R1/4	11	29.8	23.8				21 [0.74]
TS10-03		R3/8	12	29.3	23		27 [0.95]		
TS10-04		R1/2	15	30.3	22.1		21	50 [1.76]	
TS12-02	12	R1/4	11	35.9	29.9	23.3	21	35	44 [1.55]
TS12-03		R3/8	12	31.9	25.6				59
TS12-04		R1/2	15	33.9	25.7		50 [1.76]		
TS16-03	16	R3/8	12	39.3	33	24.8	24	83.3	58 [2.05]
TS16-04		R1/2	15	41.3	33.1				114

Note: The L dimensions for the tapered thread type are the reference dimensions after the fittings are assembled.

Straight with hexagon socket TSH



TSH

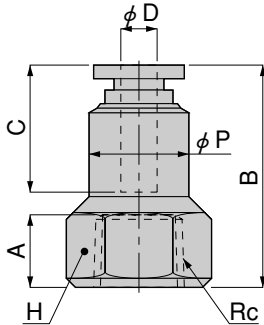
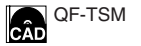


Model	Tube outer diameter ϕD	R	A	B	L ^{Note}	C	Width across flats H	ϕP	Effective area (mm ²)	Mass (g) [oz.]
TSH4-M5	4	M5×0.8	3	19.9	16.9	14.9	2	9.7	2	5.6 [0.198]
TSH4-M6		M6×1	4	20.9			3		5.2	5.9 [0.208]
TSH4-01		R1/8	8	21			17		2.5	3.6
TSH6-M5	6	M5×0.8	3	23	20	17	3	11.8	3.2	8.5 [0.300]
TSH6-M6		M6×1	4	22.5	18.5				7.4	6.9 [0.243]
TSH6-01		R1/8	8	22.6	18.6		4		11	8.1 [0.286]
TSH6-02		R1/4	11	16.5	15 [0.53]					
TSH8-01	8	R1/8	8	27.9	23.9	18.2	5	13.7	17	14 [0.49]
TSH8-02		R1/4	11	26.6	20.6		6	14	20	15 [0.53]
TSH8-03		R3/8	12	23.9	17.6		6	16.8	23 [0.81]	
TSH10-02	10	R1/4	11	29.8	23.8	20.7	6	17.7	20	23 [0.81]
TSH10-03		R3/8	12	29.3	23					28 [0.99]
TSH10-04		R1/2	15	30.3	22.1					20.8
TSH12-03	12	R3/8	12	31.9	25.6	23.3	8	20.8	40	34 [1.20]
TSH12-04		R1/2	15	33.9	25.7					49 [1.73]

Note: The L dimensions for the tapered thread type are the reference dimensions after the fittings are assembled.

Dimensions (mm)

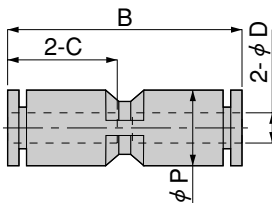
Female straight TSM



Model	Tube outer diameter ϕD	Rc	A	B	ϕP	C	Width across flats H	Effective area (mm ²)	Mass (g) [oz.]
TSM4-01	4	Rc1/8	8	24.4	11	14.9	14	5.3	16 [0.56]
TSM4-02		Rc1/4	11	27.4	12		17	6.1	24 [0.85]
TSM6-01	6	Rc1/8	8	26.5	13	17	14	12.5	18 [0.63]
TSM6-02		Rc1/4	11	29.5			17		25 [0.88]
TSM8-01	8	Rc1/8	8	28	14.5	18.2	14	26	20 [0.71]
TSM8-02		Rc1/4	11	31	15		17		27 [0.95]
TSM8-03		Rc3/8	12	32	15.5		21		37 [1.31]
TSM10-02	10	Rc1/4	11	33.7	17.5	20.7	17	43	33 [1.16]
TSM10-03		Rc3/8	12	34.7			21		42 [1.48]
TSM12-02	12	Rc1/4	11	35.8	20.8	23.3	21	40.7	57 [2.01]
TSM12-03		Rc3/8	12	36.8				71	51 [1.80]

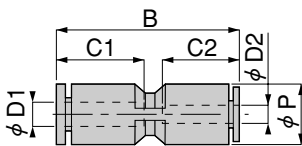
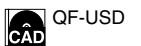
QUICK FITTINGS STANDARD TYPE

Union straight US



Model	Tube outer diameter ϕD	B	ϕP	C	Effective area (mm ²)	Mass (g) [oz.]
US4	4	30.8	10	14.9	5.3	4.7 [0.166]
US6	6	34.9	12.5	17	12.5	6.5 [0.229]
US8	8	37.8	14.5	18.4	20	9.4 [0.332]
US10	10	43.4	17.5	21.2	35	16 [0.56]
US12	12	47.8	21	23.4	59	22 [0.78]
US16	16	49.4	25	24.1	147.6	26 [0.92]

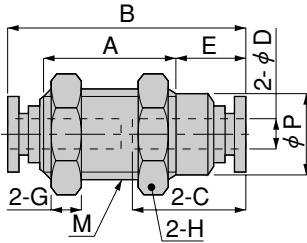
Different diameter union USD



Model	Tube outer diameter $\phi D1$	Tube outer diameter $\phi D2$	B	ϕP	C1	C2	Effective area (mm ²)	Mass (g) [oz.]
USD6-4	6	4	34.4	12.5	17	14.9	5.3	6.4 [0.226]
USD8-6	8	6	37.9	14.5	18.4	17	12.5	8.8 [0.310]
USD10-8	10	8	43.1	17.5	21.2	18.4	20	14 [0.49]
USD12-10	12	10	47.6	21	23.4	21.2	35	21 [0.74]
USD16-12	16	12	49.5	25	24.1	23.4	88.6	27 [0.95]

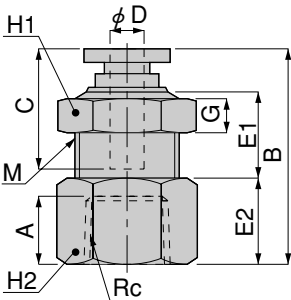
Dimensions (mm)

Union for bulkhead UK



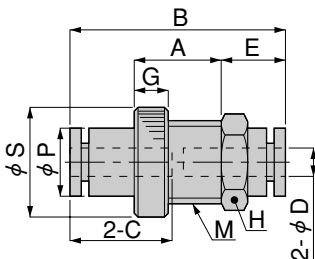
Model	Tube outer diameter ϕD	M	B	E	A	ϕP	C	Width across flats H	G	Effective area (mm ²)	Mass (g) [oz.]
UK4	4	M12X1	30.8	10.4	15	10.8	14.9	14	4	5.3	11 [0.39]
UK6	6	M14X1	34.9	11	18	12.5	17	17	4	12.5	16 [0.56]
UK8	8	M16X1	37.4	14.3	16.8	14.6	18.2	19	4	20	20 [0.71]
UK10	10	M20X1	42.4	12.7	23	18.5	20.7	24	5	35	39 [1.38]
UK12	12	M22X1	47.6	12.3	29	20.4	23.3	27	6	71	57 [2.01]

Female union for bulkhead UKM



Model	Tube outer diameter ϕD	Rc	M	B	E1	E2	A	C	Width across flats H1	Width across flats H2	G	Effective area (mm ²)	Mass (g) [oz.]		
UKM4-01	4	Rc1/8	M12X1	24.5	9.9	10	8	14.9	14	14	4	5.8	19 [0.67]		
UKM6-01	6	Rc1/8	M14X1	27.1	11.9	10	8	17	17	17	4	13.8	29 [1.02]		
UKM6-02		Rc1/4		30.1		13						11		12.7	
UKM8-01	8	Rc1/8	M16X1	29	13.5	10	8	18.2	19	19	4	22.5	39 [1.38]		
UKM8-02		Rc1/4		32		13						11		23.4	41 [1.45]
UKM8-03		Rc3/8		33		14						12		22.3	35 [1.23]
UKM10-02	10	Rc1/4	M20X1	34.8	14.9	14	11	20.7	24	24	5	41.1	78 [2.75]		
UKM10-03		Rc3/8		35.8		15						12		40	73 [2.57]
UKM12-03	12	Rc3/8	M22X1	38.9	18.4	15	12	23.3	27	24	6	70.3	86 [3.03]		
UKM12-04		Rc1/2		41.9		18						15		70.1	80 [2.82]

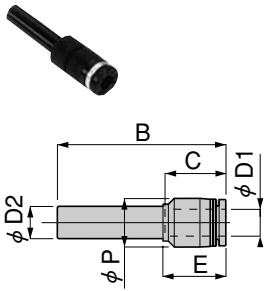
Union for bulkhead B UKB



Model	Tube outer diameter ϕD	M	B	E	A	ϕP	ϕS	C	Width across flats H	G	Effective area (mm ²)	Mass (g) [oz.]
UKB4	4	M12X1.5	31.4	9.2	13	10	16	14.9	14	5	4.2	6.8 [0.240]
UKB6	6	M14X1.5	35.5	9.8	16	12.3	19	17	17	5	10.7	9.6 [0.339]
UKB8	8	M16X1.5	38.4	10.7	17	14.2	22	18.4	19	6	19.1	14 [0.49]
UKB10	10	M20X2	43	13	19	17.5	27.5	20.9	24	6	39.6	23 [0.81]
UKB12	12	M24X2	48.4	13.2	22	21	31	23.6	27	6	47.6	32 [1.13]

Dimensions (mm)

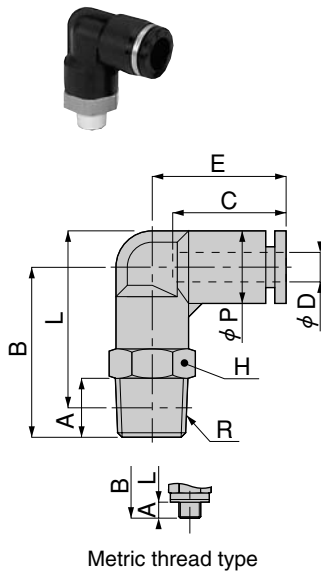
Reducer UR



Model	Tube outer diameter ϕ D1	Applicable fitting diameter ϕ D2	B	E	ϕ P	C	Effective area (mm ²)	Mass (g) [oz.]
UR6-4	4	6	37.7	15.2	10	14.9	5	2.9 [0.102]
UR8-4	4	8	40.2	16.7	12.5	14.9	4.5	3.8 [0.134]
UR8-6	6		40.8	17.3		17	11.5	4 [0.141]
UR10-6	6	10	43.8	18.8	12.5	17	11.5	4.5 [0.159]
UR10-8	8		43.7	18.7		14.5	18.1	22.5
UR12-6	6	12	48.8	19.8	14.5	17	10.5	6 [0.212]
UR12-8	8		49.7	20.7		18.1	23	6.7 [0.236]
UR12-10	10		50	21		17.5	20.2	31.5

Elbow TL

QF-TL-1
QF-TL-2

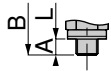
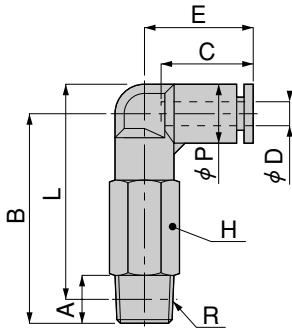


Model	Tube outer diameter ϕ D	R	A	B	L ^{Note}	ϕ P	C	E	Width across flats H	Effective area (mm ²)	Mass (g) [oz.]	
TL4-M5	4	M5×0.8	3	20.3	22.3	10	14.9	18	10	1.5	8 [0.282]	
TL4-M6		M6×1	4	21.3						8.3 [0.293]		
TL4-01		R1/8	8	23.3						24.3	4.2	11 [0.39]
TL4-02		R1/4	11	26.3						25.3	14	21 [0.74]
TL6-M5	6	M5×0.8	3	22	25.3	12.5	16.8	19.8	12	1.5	13 [0.46]	
TL6-M6		M6×1	4	23						6.1	8.3 [0.293]	
TL6-01		R1/8	8	25						27.3	10	14 [0.49]
TL6-02		R1/4	11	28						28.2	14	22 [0.78]
TL6-03	R3/8	12	29.8	29.7	17	35 [1.23]						
TL8-01	8	R1/8	8	28	31.3	14.5	18.2	22.7	14	16.5	19 [0.67]	
TL8-02		R1/4	11	31	32.2					24 [0.85]		
TL8-03		R3/8	12	32.8	33.7					17	37 [1.31]	
TL10-01	10	R1/8	8	33	37.8	17.5	20.2	26.2	17	22.4	31 [1.09]	
TL10-02		R1/4	11	36	38.7					34 [1.20]		
TL10-03		R3/8	12	37	39.4					30	43 [1.52]	
TL10-04		R1/2	15	40	40.6					21	65 [2.29]	
TL12-02	12	R1/4	11	38	42.5	21	23.4	29.4	21	30	51 [1.80]	
TL12-03		R3/8	12	39	43.2					47	52 [1.83]	
TL12-04		R1/2	15	42	44.3					67 [2.36]		
TL16-03	16	R3/8	11	47	53.2	25	24.1	33.1	22	80.2	81 [2.86]	
TL16-04		R1/2	15	51	55.3					93.3	86 [3.03]	

Note: The L dimensions for the tapered thread type are the reference dimensions after the fittings are assembled.

Dimensions (mm)

Long elbow TLL

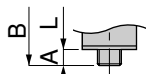
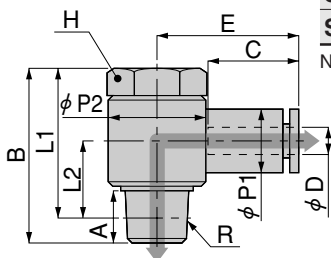


Metric thread type

Model	Tube outer diameter ϕD	R	A	B	L ^{Note}	ϕP	C	E	Width across flats H	Effective area (mm ²)	Mass (g) [oz.]	
TLL4-M5	4	M5X0.8	3	32.3	34.3	10	14.9	18	10	1.5	8.4 [0.296]	
TLL4-01		R1/8	8	35.3	36.3					4.2	17 [0.60]	
TLL6-01	6	R1/8	8	38	40.3	12.5	16.8	19.8	12	10	26 [0.92]	
TLL6-02		R1/4	11	41	41.2						14	39 [1.38]
TLL6-03		R3/8	12	43.3	43.2						17	62 [2.19]
TLL8-01	8	R1/8	8	43.5	46.8	14.5	18.2	22.7	14	16.5	37 [1.31]	
TLL8-02		R1/4	11	46.5	47.7						17	66 [2.33]
TLL8-03		R3/8	12	48.3	49.2						17	66 [2.33]
TLL10-02	10	R1/4	11	54.5	57.2	17.5	20.2	26.2	17	30	65 [2.29]	
TLL10-03		R3/8	12	55.5	57.9						17	74 [2.61]
TLL10-04		R1/2	15	60	60.6						21	121 [4.27]
TLL12-02	12	R1/4	11	60	64.5	21	23.4	29.4	21	39.1	112 [3.95]	
TLL12-03		R3/8	12	61	65.2						21	107 [3.77]
TLL12-04		R1/2	15	64	66.3						21	123 [4.34]

Note: The L dimensions for the tapered thread type are the reference dimensions after the fittings are assembled.

Swing elbow SL



Metric thread type

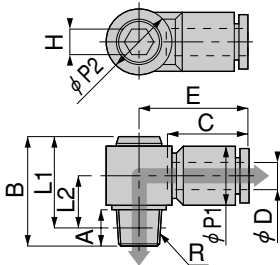
Model	Tube outer diameter ϕD	R	A	B	Note L1	Note L2	$\phi P1$	$\phi P2$	C	E	Width across flats H	Effective area (mm ²)	Mass (g) [oz.]			
SL4-M5	4	M5X0.8	3	17.2	14.2	6.2	10	9.8	14.9	21.2	8	2	7.5 [0.265]			
SL4-M6		M6X1	3.9	18.2	14.3	6.3						3.4	7.4 [0.261]			
SL4-01		R1/8	8	27	23	12						15.4	22.2	14	4.6	21 [0.74]
SL6-M5	6	M5X0.8	3	17.2	14.2	7.4	12.5	9.8	17	23.1	8	1.9	8.3 [0.293]			
SL6-M6		M6X1	3.9	18.2	14.3	7.5						3.3				
SL6-01		R1/8	8	27	23	12						15.4		24.2	14	10.9
SL6-02	R1/4	11	31.5	25.5	13.5	19.6	26.8	17	11.6	36 [1.27]						
SL8-01	8	R1/8	8	27	23	12	14.5	15.4	18.1	26.2	14	14.9	23 [0.81]			
SL8-02		R1/4	11	31.5	25.5	13.5						19.6	28.2	17	19.7	38 [1.34]
SL8-03		R3/8	12	36	29.7	15.7						24.4	30.2	21	21.4	60 [2.12]
SL10-02	10	R1/4	11	31.5	25.5	15	18	19.6	20.2	30.5	17	23.1	41 [1.45]			
SL10-03		R3/8	12	36	29.7	15.7						24.4	32.5	21	31.5	63 [2.22]
SL12-03	12	R3/8	12	36	29.7	17.2	21	24.4	23.4	35.2	21	39.7	66 [2.33]			
SL12-04		R1/2	13	40.2	32	16.5						30	38.2	24	49.8	97 [3.42]
SL16-03	16	R3/8	12	46.1	39.8	21.3	25	28	24.1	36.6	24	64.2	92 [3.25]			
SL16-04		R1/2	15	48.3	40.1	21.6						30	62.1	105 [3.70]		

Note: The L1 and L2 dimensions for the tapered thread type are the reference dimensions after the fittings are assembled.

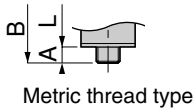
Dimensions (mm)

Hexagon socket head swing elbow SLH

CAD QF-SLH1
QF-SLH2



← Air flow



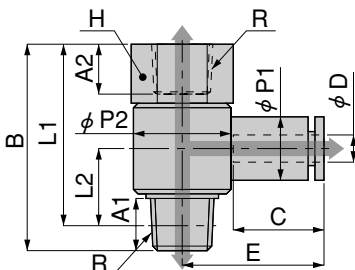
Model	Tube outer diameter ϕD	R	A	B	Note L1	Note L2	$\phi P1$	$\phi P2$	C	E	Width across flats H	Effective area (mm ²)	Mass (g) [oz.]
SLH4-M5	4	M5X0.8	3	17.5	14.5	7.5	10	10	14.9	19.8	4	2.1	6.3 [0.222]
SLH6-01	6	R1/8	8	24	20	11.5	13	14.3	17	23.7	5	7	15 [0.53]
SLH6-02		R1/4	11	27	21	12.5						7.4	22 [0.78]
SLH8-01	8	R1/8	8	27	23	12	14	17.9	18.1	26.7	8	14	22 [0.78]
SLH8-02		R1/4	11	30	24	13						12.4	28 [0.99]
SLH8-03		R3/8	12	31	24.7	13.7						13.6	37 [1.31]
SLH10-02	10	R1/4	11	34	28	15	18	21.3	20.7	30.7	10	22.9	40 [1.41]
SLH10-03		R3/8	12	35	28.7	15.7						22.6	49 [1.73]
SLH12-03	12	R3/8	12	39	32.7	17.7	21	26.3	23.4	36.4	12	37.3	68 [2.40]
SLH12-04		R1/2	15	42	33.8	18.8						32.4	85 [3.00]

Note: The L1 and L2 dimensions for the tapered thread type are the reference dimensions after the fittings are assembled.

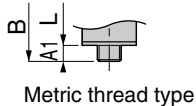
QUICK FITTINGS STANDARD TYPE

Female swing elbow SLM

CAD QF-SLM1
QF-SLM2



← Air flow

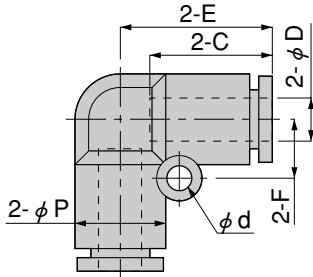


Model	Tube outer diameter ϕD	Note1 R	A1	A2	B	Note2 L1	Note2 L2	$\phi P1$	$\phi P2$	C	E	Width across flats H	Effective area (mm ²)	Mass (g) [oz.]	
SLM4-M5	4	M5X0.8	2.9	5	20.1	17.2	7.2	9.9	9.8	14.9	19.9	8	1.7	7.9 [0.279]	
SLM4-01		※1/8	8	8	32.5	28.5	12	10	15.4		22.2	14	4.8	23 [0.81]	
SLM6-M5	6	M5X0.8	2.9	5	20.1	17.2	8.4	12.4	9.8	17	24	8	1.6	9 [0.32]	
SLM6-01		※1/8	8	8	32.5	28.5	12	12.5	15.4		24.2	14	8.4	24 [0.85]	
SLM6-02		※1/4	11	11	38.5	32.5	13.5		19.6		26.8	17	10.2	38 [1.34]	
SLM8-01	8	※1/8	8	8	32.5	28.5	12	14.5	15.4	18.1	26.2	14	10.3	25 [0.88]	
SLM8-02		※1/4	11	11	38.5	32.5	13.5		19.6		18.1	28.2	17	15.5	39 [1.38]
SLM8-03		※3/8	12	12	44.5	38.2	15.7		24.4		30.2	21	18.9	63 [2.22]	
SLM10-02	10	※1/4	11	11	38.5	32.5	15	18	19.6	20.2	30.5	17	15.4	42 [1.48]	
SLM10-03		※3/8	12	12	44.5	38.2	15.7		24.4		32.5	21	24.9	66 [2.33]	
SLM12-03	12	※3/8	12	12	44.5	38.2	17.2	21	24.4	23.4	35.2	21	28.3	69 [2.43]	
SLM12-04		※1/2	13	15	52.2	44	16.5		30		38.2	24	42.6	102 [3.60]	

Notes: 1. For the female thread, Rc lies in the ※ area, while for male thread, R is in the ※ area (excluding metric thread type).
2. The L1 and L2 dimensions for the tapered thread type are the reference dimensions after the fittings are assembled.

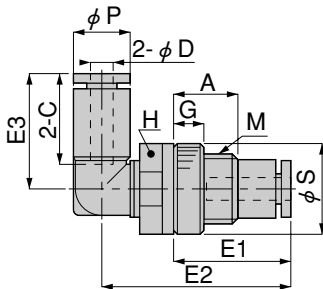
Dimensions (mm)

Union elbow UL



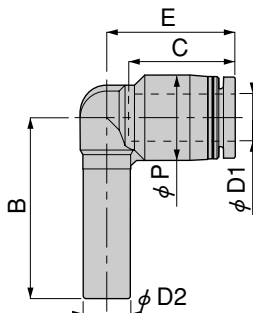
Model	Tube outer diameter ϕD	ϕP	C	E	ϕd	F	Effective area (mm ²)	Mass (g) [oz.]
UL4	4	10	14.9	16.9	3.2	6.5	4.2	5.1 [0.180]
UL6	6	12.5	16.9	20.1	3.2	8	10	7.3 [0.257]
UL8	8	15	18.4	22.4	4.2	10	16.5	11 [0.39]
UL10	10	17.5	20.7	26.2	4.2	12	30	17 [0.60]
UL12	12	21	23.4	29.4	4.2	14	47	25 [0.88]
UL16	16	25	24.1	33.1	4.2	12	91.6	31 [1.09]

Union elbow for bulkhead UKBL



Model	Tube outer diameter ϕD	M	E1	E2	E3	A	ϕP	ϕS	C	Width across flats H	G	Effective area (mm ²)	Mass (g) [oz.]
UKBL4	4	M12X1.5	20.2	32.8	19.7	11	10	16	14.9	14	5	3.4	11 [0.39]
UKBL6	6	M14X1.5	23.8	37.8	22.8	14	12.5	19	17	17	5	9.4	17 [0.60]
UKBL8	8	M16X1.5	25.7	41.7	25.7	15	14.5	22	18.2	19	6	19.3	25 [0.88]
UKBL10	10	M20X2	28	47.7	29.5	17	17.5	27.5	20.7	24	6	28.1	42 [1.48]
UKBL12	12	M24X2	33.2	54.7	32.7	20	21	31	23.4	27	6	37.2	59 [2.08]

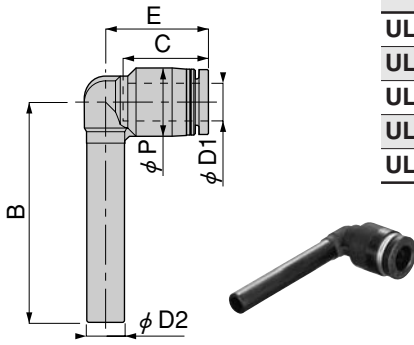
Socket elbow ULA



Model	Tube outer diameter $\phi D1$	Applicable fitting diameter $\phi D2$	B	ϕP	C	E	Effective area (mm ²)	Mass (g) [oz.]
ULA4	4	4	25	10	14.9	16.8	3	2.7 [0.095]
ULA6	6	6	28.6	12.5	17	19.8	8	3.9 [0.138]
ULA8	8	8	30.8	14.5	18.2	21.8	17	5.7 [0.201]
ULA10	10	10	33.8	17.5	20.2	25	25.5	9.6 [0.339]
ULA12	12	12	39	21	23.4	28.9	36	15 [0.53]

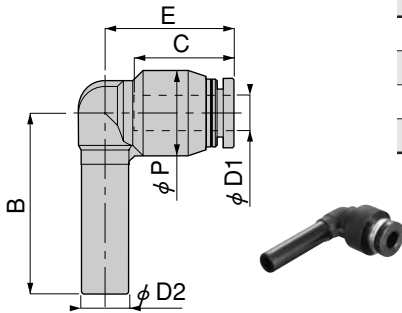
Dimensions (mm)

Long socket elbow ULAL



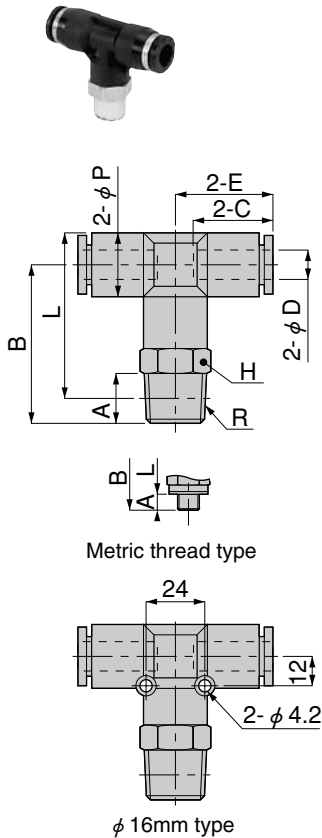
Model	Tube outer diameter ϕ D1	Applicable fitting diameter ϕ D2	B	ϕ P	C	E	Effective area (mm ²)	Mass (g) [oz.]
ULAL4	4	4	36	10	14.9	16.8	3	2.8 [0.099]
ULAL6	6	6	42.1	12.5	17	19.8	7.5	4.2 [0.148]
ULAL8	8	8	46.8	14.5	18.2	21.8	16	6.2 [0.219]
ULAL10	10	10	51.8	17.5	20.2	25	25	11 [0.39]
ULAL12	12	12	59.5	21	23.4	28.9	35.5	16 [0.56]

Different diameter socket elbow ULAD



Model	Tube outer diameter ϕ D1	Applicable fitting diameter ϕ D2	B	ϕ P	C	E	Effective area (mm ²)	Mass (g) [oz.]
ULAD6-4	4	6	28.5	12.5	14.9	17.7	4.5	3.6 [0.127]
ULAD8-6	6	8	30.8	14.5	17	21.9	9.5	5.2 [0.183]
ULAD10-8	8	10	33.8	17.5	18.2	24.7	18.5	8 [0.28]
ULAD12-10	10	12	39	21	20.2	28.7	29	14 [0.49]

Tee TT



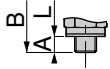
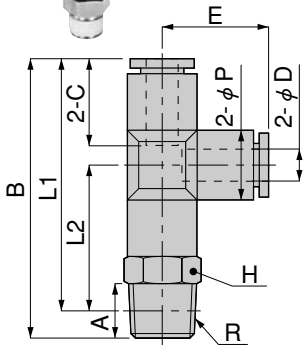
Model	Tube outer diameter ϕ D	R	A	B	L ^{Note}	ϕ P	C	E	Width across flats H	Effective area (mm ²)	Mass (g) [oz.]	
TT4-M5	4	M5×0.8	3	20.3	22.3	10	14.9	16.9	10	1.5	11 [0.39]	
TT4-M6		M6×1	4	21.3						4.1		
TT4-01		R1/8	8	23.3						24.3		23 [0.81]
TT4-02		R1/4	11	26.3						25.3		23 [0.81]
TT6-M5	6	M5×0.8	3	23	26.5	13	17	20.15	12	1.5	16 [0.56]	
TT6-M6		M6×1	4	24						6.8		
TT6-01		R1/8	8	26						28.5		18 [0.63]
TT6-02		R1/4	11	29						29.5		26 [0.92]
TT6-03	R3/8	12	30.8	31	39 [1.38]							
TT8-01	8	R1/8	8	26.3	29.8	15	18.4	22.4	14	16.5	23 [0.81]	
TT8-02		R1/4	11	29.3	30.8					29 [1.02]		
TT8-03		R3/8	12	31.1	32.3					42 [1.48]		
TT10-02	10	R1/4	11	36	38.7	17.5	20.2	25.2	17	30	42 [1.48]	
TT10-03		R3/8	12	37	39.4					50 [1.76]		
TT10-04		R1/2	15	40	40.6					72 [2.54]		
TT12-02	12	R1/4	11	38	42.5	21	22.9	28.4	21	30	61 [2.15]	
TT12-03		R3/8	12	39	43.2					62 [2.19]		
TT12-04		R1/2	15	42	44.3					78 [2.75]		
TT16-03	16	R3/8	11	47	53.2	25	24.1	33.1	22	80.1	93 [3.28]	
TT16-04		R1/2	15	51	55.3					90.8	99 [3.49]	

Note: The L dimensions for the tapered thread type are the reference dimensions after the fittings are assembled.

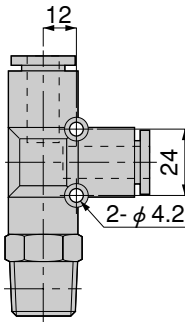
Dimensions (mm)

Branch tee

TB



Metric thread type



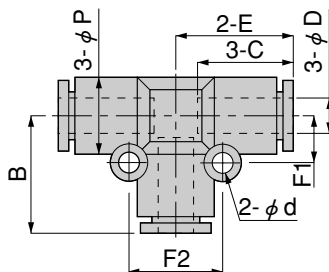
φ 16mm type

Model	Tube outer diameter φ D	R	A	B	L1 ^{Note}	φ P	C	L2 ^{Note}	E	Width across flats H	Effective area (mm ²)	Mass (g) [oz.]	
TB4-M5	4	M5X0.8	3	37.2	34.2	10	14.9	17.3	16.9	10	1.9	11 [0.39]	
TB4-M6		M6X1	4	38.2				5.3					
TB4-01		R1/8	8	40.2				19.3			14 [0.49]		
TB4-02		R1/4	11	43.2				20.3			23 [0.81]		
TB6-M5	6	M5X0.8	3	43.2	40.2	13	17	20	20.2	12	1.9	16 [0.56]	
TB6-M6		M6X1	4	44.2				6.4			17 [0.60]		
TB6-01		R1/8	8	46.2				22					18 [0.63]
TB6-02		R1/4	11	49.2				23					26 [0.92]
TB6-03	R3/8	12	51	44.6	24.5	17	12.5	39 [1.38]					
TB8-01	8	R1/8	8	50.4	46.4	15	18.1	24.2	22.2	14	20	23 [0.81]	
TB8-02		R1/4	11	53.4				25.2				29 [1.02]	
TB8-03		R3/8	12	55.2				26.7				42 [1.48]	
TB10-02	10	R1/4	11	61.2	55.2	17.5	20.2	30	25.2	17	35	42 [1.48]	
TB10-03		R3/8	12	62.2				30.7				50 [1.76]	
TB10-04		R1/2	15	65.2				31.8				72 [2.54]	
TB12-02	12	R1/4	11	66.6	60.6	21	22.9	32.2	28.2	21	35	62 [2.19]	
TB12-03		R3/8	12	67.6				32.9				78 [2.75]	
TB12-04		R1/2	15	70.6				34					
TB16-03	16	R3/8	11	80.1	73.8	25	24.1	40.7	33.1	22	79.5	95 [3.35]	
TB16-04		R1/2	15	84.1				42.8			99 [3.49]		

Note: The L1 and L2 dimensions for the tapered thread type are the reference dimensions after the fittings are assembled.

Union tee

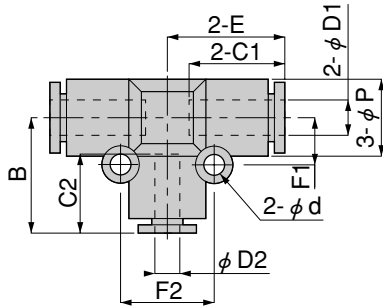
UT



Model	Tube outer diameter φ D	φ P	C	E	φ d	F1	F2	B	Effective area (mm ²)	Mass (g) [oz.]
UT4	4	10	14.9	16.9	3.2	6.5	13	16.9	5.3	7.5 [0.265]
UT6	6	13	17	20.05	3.5	8	16	20.1	12.5	11 [0.39]
UT8	8	15	18.2	22.2	3.5	9	18	22.2	20	16 [0.56]
UT10	10	17.5	20.2	25.2	4.2	12	24	25.2	35	25 [0.88]
UT12	12	21	22.9	28.4	4.2	14	28	28.2	59	36 [1.27]
UT16	16	25	24.1	33.1	4.2	12	24	33.1	89.8	44 [1.55]

Dimensions (mm)

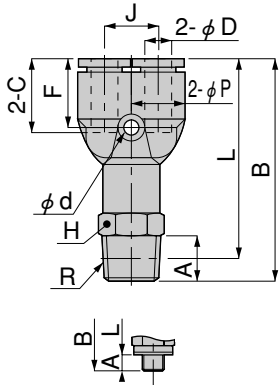
Different diameter union tee



Model	Tube outer diameter ϕ D1	Tube outer diameter ϕ D2	ϕ P	C1	C2	E	ϕ d	F1	F2	B	Effective area (mm ²)	Mass (g) [oz.]
UTD6-4	6	4	13	17	14.9	20.05	3.5	8	16	19.5	4.1	11 [0.39]
UTD8-6	8	6	15	18.2	16.9	22.2	3.5	9	18	22.3	10.3	15 [0.53]
UTD10-8	10	8	17.5	20.2	18.1	25.2	4.2	12	24	24.9	19.6	24 [0.85]
UTD12-10	12	10	21	22.9	20.7	28.4	4.2	14	28	28	32.5	35 [1.23]

Branch Y

TBY



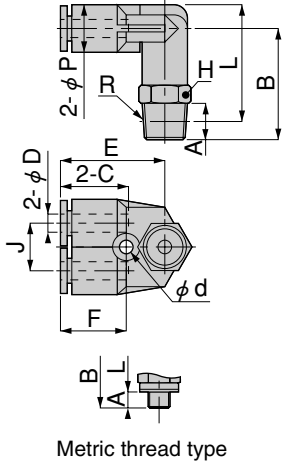
Metric thread type

Model	Tube outer diameter ϕ D	R	A	B	L ^{Note}	ϕ P	C	J	ϕ d	F	Width across flats H	Effective area (mm ²)	Mass (g) [oz.]
TBY4-M5	4	M5X0.8	3	37.6	34.6	10	14.9	11	3.4	14.1	10	1.5	11 [0.39]
TBY4-01		R1/8	8	40.6	36.6							4.2	14 [0.49]
TBY4-02		R1/4	11	43.6	37.6							14	23 [0.81]
TBY6-M5	6	M5X0.8	3	41.4	38.4	12.5	17	12	3.2	15.8	12	1.5	16 [0.56]
TBY6-M6		M6X1	4	42.4								6.5	17 [0.60]
TBY6-01		R1/8	8	44.4	40.4							14	18 [0.63]
TBY6-02		R1/4	11	47.4	41.3								10
TBY6-03	R3/8	12	49.2	42.8	17	40 [1.41]							
TBY8-01	8	R1/8	8	48.7	44.7	14.5	18.1	14	3.2	17.2	14	16.5	24 [0.85]
TBY8-02		R1/4	11	51.7	45.7							29 [1.02]	
TBY8-03		R3/8	12	53.5	47.2							17	43 [1.52]
TBY10-02	10	R1/4	11	58.3	52.3	18	20.7	18	4.5	19.5	17	30	44 [1.55]
TBY10-03		R3/8	12	59.3	53							52 [1.83]	
TBY10-04		R1/2	15	62.3	54.1							21	74 [2.61]
TBY12-02	12	R1/4	11	63.5	57.5	21	23.4	20	4.2	22.2	21	37	64 [2.26]
TBY12-03		R3/8	12	64.5	58.2							65 [2.29]	
TBY12-04		R1/2	15	67.5	59.3							81 [2.86]	

Note: The L dimensions for the tapered thread type are the reference dimensions after the fittings are assembled.

Dimensions (mm)

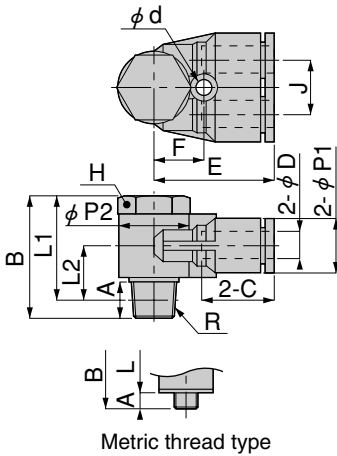
Branch elbow Y TBLY



Model	Tube outer diameter ϕD	R	A	B	L ^{Note}	ϕP	C	J	E	Width across flats H	ϕd	F	Effective area (mm ²)	Mass (g) [oz.]	
TBLY4-M5	4	M5X0.8	3	21.7	23.7	10	14.9	11	22.7	10	3.2	14.2	2.2	12 [0.42]	
TBLY4-M6		M6X1	4	22.7									2.5		
TBLY4-01		R1/8	8	24.7									25.7		2.7
TBLY4-02		R1/4	11	27.7									26.7		2.5
TBLY6-M5	6	M5X0.8	3	25	28.3	12.5	17	12	26.2	12	4.2	15.5	2.2	17 [0.60]	
TBLY6-M6		M6X1	4	26									6.4		
TBLY6-01		R1/8	8	28									30.3		6.9
TBLY6-02		R1/4	11	31									31.2		6.6
TBLY6-03	R3/8	12	32.8	32.7	6.8										
TBLY8-01	8	R1/8	8	31	34.3	14.5	18.1	14	29.4	14	4.2	16.9	14.6	25 [0.88]	
TBLY8-02		R1/4	11	34									35.2		14.5
TBLY8-03		R3/8	12	35.8									36.7		15
TBLY10-02	10	R1/4	11	37	39.7	17.5	20.2	18	33.5	17	4.2	18.5	26.1	46 [1.62]	
TBLY10-03		R3/8	12	38									40.4		27.2
TBLY10-04		R1/2	15	41									41.6		29.9
TBLY12-02	12	R1/4	11	41.2	45.7	21	23.4	20	35.2	21	4.2	20.7	38.2	67 [2.36]	
TBLY12-03		R3/8	12	42.2									46.4		43.1
TBLY12-04		R1/2	15	45.2									47.5		42.1

Note: The L dimensions for the tapered thread type are the reference dimensions after the fittings are assembled.

Swing elbow Y SLY

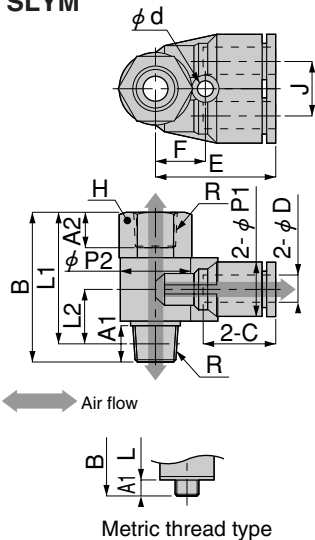


Model	Tube outer diameter ϕD	R	A	B	Note L1	Note L2	$\phi P1$	$\phi P2$	C	J	E	ϕd	F	Width across flats H	Effective area (mm ²)	Mass (g) [oz.]
SLY4-M5	4	M5X0.8	3	17.2	14.2	6.2	10	9.8	14.9	10	20.2	—	—	8	1.9	9.6 [0.339]
SLY6-01	6	R1/8	8	27	23	12	12.4	15.4	17	12	26.2	3.5	10.7	14	8.3	25 [0.88]
SLY8-02	8	R1/4	11	31.5	25.5	13.5	14.4	19	18.2	14	29.1	3.2	12.5	17	15.5	42 [1.48]
SLY10-03	10	R3/8	12	36	29.7	15.7	17.6	23	20.7	17	33.5	4.2	15	21	25.2	70 [2.47]
SLY12-04	12	R1/2	13	40.2	32	16.5	21	27	23.4	20	37.4	4.2	17	24	39.7	106 [3.74]

Note: The L1 and L2 dimensions for the tapered thread type are the reference dimensions after the fittings are assembled.



Female swing elbow Y SLYM



Model	Tube outer diameter ϕD	Note ¹ R	A1	A2	B	Note ² L1	Note ² L2	$\phi P1$	$\phi P2$	C	J	E	ϕd	F	Width across flats H	Effective area (mm ²)	Mass (g) [oz.]
SLYM4-M5	4	M5X0.8	3	5	20.2	17.2	6.2	10	9.8	14.9	10	20.2	—	—	8	1.7	11 [0.39]
SLYM6-01	6	*1/8	8	8	32.5	28.5	12	12.4	15.4	17	12	26.2	3.5	10.7	14	7	27 [0.95]
SLYM8-02	8	*1/4	11	11	38.5	32.5	13.5	14.4	19	18.2	14	29.1	3.2	12.5	17	13.8	44 [1.55]
SLYM10-03	10	*3/8	12	12	44.5	38.2	15.7	17.6	23	20.7	17	33.5	4.2	15	21	21.9	73 [2.57]
SLYM12-04	12	*1/2	13	15	52.2	44	16.5	21	27	23.4	20	37.4	4.2	17	24	39.2	111 [3.92]

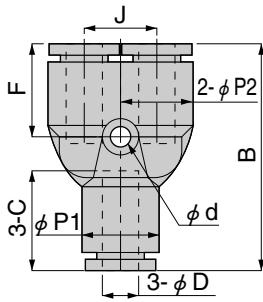
Notes: 1. For the female thread, Rc lies in the * area, while for male thread, R is in the * area (excluding metric thread type).

2. The L1 and L2 dimensions for the tapered thread type are the reference dimensions after the fittings are assembled.



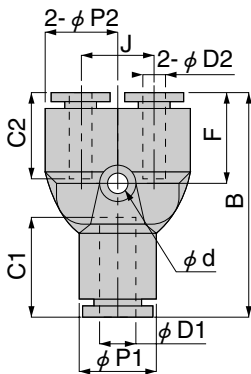
Dimensions (mm)

Union Y UY



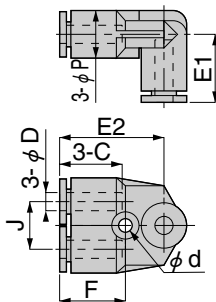
Model	Tube outer diameter ϕD	B	$\phi P1$	$\phi P2$	C	J	ϕd	F	Effective area (mm ²)	Mass (g) [oz.]
UY4	4	32.8	10	10	14.9	11	3.4	14.1	4.2	7.6 [0.268]
UY6	6	37.7	13	12.5	17	12	3.4	15.8	10	11 [0.39]
UY8	8	42.4	15	14.5	18.1	14	3.2	17.2	16.5	16 [0.56]
UY10	10	48.4	18	18	20.7	18	4.5	19.5	27	26 [0.92]
UY12	12	54.8	21.5	21	23.4	20	4.2	22.2	38	37 [1.31]

Different diameter union Y UYD



Model	Tube outer diameter $\phi D1$	Tube outer diameter $\phi D2$	B	$\phi P1$	$\phi P2$	C1	C2	J	ϕd	F	Effective area (mm ²)	Mass (g) [oz.]
UYD6-4	6	4	37.2	13	12.5	17	14.9	12	3.2	15.2	4.2	11 [0.39]
UYD8-6	8	6	42.5	15	14.5	18.1	17	14	3.2	17.3	10	15 [0.53]
UYD10-8	10	8	48.1	18	18	20.7	18.2	18	4.5	19.2	17	23 [0.81]
UYD12-10	12	10	54.6	21.5	21	23.4	20.2	20	4.2	22	27	36 [1.27]

Union elbow Y ULY



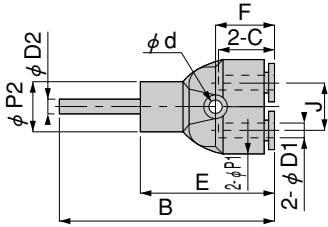
Model	Tube outer diameter ϕD	E1	ϕP	C	J	E2	ϕd	F	Effective area (mm ²)	Mass (g) [oz.]
ULY4	4	16.9	10	14.9	11	22.7	3.2	14.2	2.5	8.2 [0.289]
ULY6	6	19.8	12.5	17	12	26.2	4.2	15.5	7.2	12 [0.42]
ULY8	8	22.7	14.5	18.1	14	29.4	4.2	16.9	16.3	17 [0.60]
ULY10	10	25	17.5	20.2	18	33.5	4.2	18.5	27.9	28 [0.99]
ULY12	12	29.4	21	23.4	20	35.2	4.2	20.7	40	39 [1.38]

Dimensions (mm)

Branch union Y UB



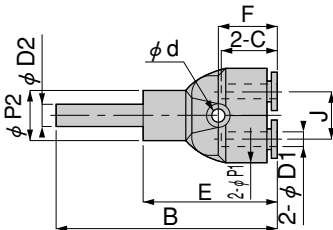
Model	Tube outer diameter ϕ D1	Applicable fitting diameter ϕ D2	B	ϕ P1	ϕ P2	C	E	J	ϕ d	F	Effective area (mm ²)	Mass (g) [oz.]
UB4	4	4	48.7	10	10	14.9	28.6	11	3.4	14.1	2	6.5 [0.229]
UB6	6	6	55.6	12.5	12.5	17	33	12	3.2	15.8	7.5	9.4 [0.332]
UB8	8	8	59.2	14.5	13	18.1	35.7	14	3.2	17.2	16.5	13 [0.46]
UB10	10	10	68.5	18	18	20.7	43.5	18	4.5	19.5	27	23 [0.81]
UB12	12	12	78.3	21	21.5	23.4	49.8	20	4.5	22.2	42	34 [1.20]



Different diameter branch union Y UBD



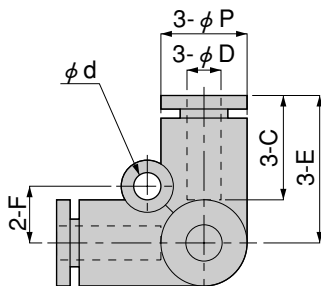
Model	Tube outer diameter ϕ D1	Applicable fitting diameter ϕ D2	B	ϕ P1	ϕ P2	C	E	J	ϕ d	F	Effective area (mm ²)	Mass (g) [oz.]
UBD6-4	4	6	50.9	10	10	14.9	28.6	11	3.4	14.1	4.2	6.8 [0.240]
UBD8-6	6	8	56.5	12.5	12.8	17	33	12	3.2	15.8	10	9.5 [0.335]
UBD10-8	8	10	62.7	14.5	15	18.1	37.7	14	3.2	17.2	16.5	15 [0.53]
UBD12-10	10	12	69.8	18	18	20.7	41.3	18	4.5	19.5	27	23 [0.81]



Tetra union UZ

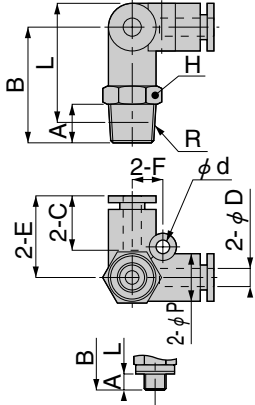


Model	Tube outer diameter ϕ D	ϕ P	C	E	ϕ d	F	Effective area (mm ²)	Mass (g) [oz.]
UZ4	4	10	14.9	16.9	3.2	6.5	3.7	7.4 [0.261]
UZ6	6	12.5	17	20.1	4.2	8	8.3	11 [0.39]
UZ8	8	14.5	18.1	22.1	4.2	10	16	16 [0.56]
UZ10	10	17.5	20.2	26.2	4.2	12	30.2	25 [0.88]
UZ12	12	21	23.4	29.4	4.2	14	40.2	36 [1.27]



Dimensions (mm)

Branch tetra TBZ

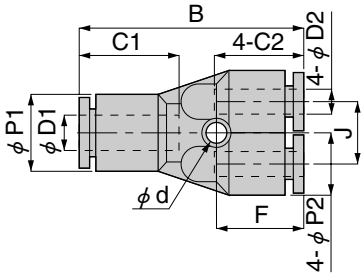


Metric thread type

Model	Tube outer diameter ϕD	R	A	B	L ^{Note}	ϕP	C	E	Width across flats H	ϕd	F	Effective area (mm ²)	Mass (g) [oz.]		
TBZ4-M5	4	M5X0.8	3	21.7	23.7	10	14.9	16.9	10	3.2	6.5	2.3	11 [0.39]		
TBZ4-M6		M6X1	4	22.7								3.6			
TBZ4-01		R1/8	8	24.7								25.7		4	14 [0.49]
TBZ4-02		R1/4	11	27.7								26.7		14	3.5
TBZ6-M5	6	M5X0.8	3	25.3	28.6	12.5	17	20.1	12	4.2	8	2.3	17 [0.60]		
TBZ6-M6		M6X1	4	26.3								5.9			
TBZ6-01		R1/8	8	28.3								30.6		8.5	18 [0.63]
TBZ6-02		R1/4	11	31.3								31.5		8	26 [0.92]
TBZ6-03		R3/8	12	33.1								33		8.4	39 [1.38]
TBZ8-01		R1/8	8	30.4								33.7		14.5	18.1
TBZ8-02	R1/4	11	33.4	34.6	17.5	30 [1.06]									
TBZ8-03	R3/8	12	35.2	36.1	17	17.4	42 [1.48]								
TBZ10-02	10	R1/4	11	38.2	40.9	17.5	20.2	26.2	17	4.2	12	31.5	44 [1.55]		
TBZ10-03		R3/8	12	39.2	41.6							28.1	52 [1.83]		
TBZ10-04		R1/2	15	42.2	42.8							21	24.3	74 [2.61]	
TBZ12-02	12	R1/4	11	41.2	45.7	21	23.4	29.4	21	4.2	14	40.9	64 [2.26]		
TBZ12-03		R3/8	12	42.2	46.4							45	65 [2.29]		
TBZ12-04		R1/2	15	45.2	47.5							44.8	81 [2.86]		

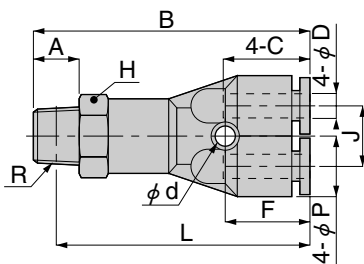
Note: The L dimensions for the tapered thread type are the reference dimensions after the fittings are assembled.

Different diameter double Y UWD



Model	Tube outer diameter $\phi D1$	Tube outer diameter $\phi D2$	B	$\phi P1$	$\phi P2$	C1	C2	J	ϕd	F	Effective area (mm ²)	Mass (g) [oz.]
UWD6-4	6	4	37.5	13	10.5	17	14.9	10	3.2	14.2	1.5	14 [0.49]
UWD8-6	8	6	42	14	13	18.2	17	13	3.5	15.8	8.2	21 [0.74]

Branch double Y TBW



Model	Tube outer diameter ϕD	R	A	B	L ^{Note}	ϕP	C	J	Width across flats H	ϕd	F	Effective area (mm ²)	Mass (g) [oz.]
TBW4-01	4	R1/8	8	45.7	41.7	10.5	14.9	10	12	3.2	14.2	1.5	22 [0.78]
TBW4-02		R1/4	11	48.7	42.7				14			1.4	30 [1.06]
TBW6-01	6	R1/8	8	50.3	46.3	13	17	13	14	3.5	15.8	9	29 [1.02]

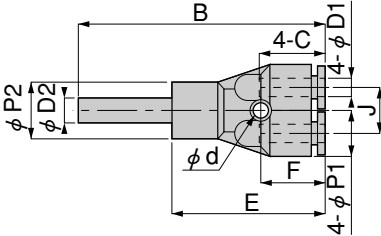
Note: The L dimensions are the reference dimensions after the fittings are assembled.

Dimensions (mm)

Branch union double Y UBW



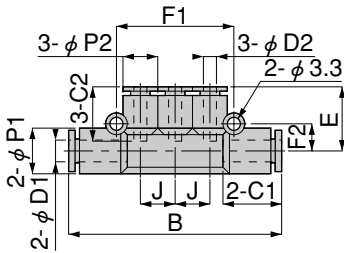
Model	Tube outer diameter ϕ D1	Applicable fitting diameter ϕ D2	B	E	J	ϕ P1	ϕ P2	C1	ϕ d	F	Effective area (mm ²)	Mass (g) [oz.]
UBW6-4	4	6	55	32.7	10	13	10.5	14.9	3.2	14.2	1.5	13 [0.46]
UBW8-6	6	8	60.8	37.3	13	14	13	17	3.5	15.8	7.1	19 [0.67]



Different diameter triple UED



Model	Tube outer diameter ϕ D1	Tube outer diameter ϕ D2	B	E	J	ϕ P1	ϕ P2	C1	C2	F1	F2	Effective area (mm ²)	Mass (g) [oz.]
UED6-4	6	4	60.1	18.4	10	13	10	17	14.9	34	8	5	16 [0.56]
UED8-4	8	4	62.4	19.2	10	15	10	18.1	14.9	34	9.2	6	20 [0.71]
UED8-6		6	69.4	21.3	12		13		17	40.2	9	10.1	23 [0.81]
UED10-6	10	6	80	23.8	14	17.5	15	20.7	17	46.2	10.5	11.2	31 [1.09]
UED10-8		8		23.7					18.1			19.1	33 [1.16]



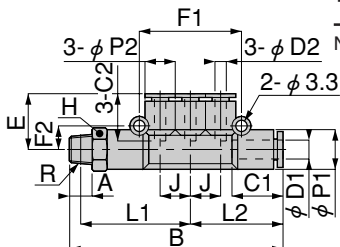
Branch triple TBE



Model	Tube outer diameter ϕ D1	Tube outer diameter ϕ D2	R	A	B	E	Note L1	L2	J	ϕ P1	ϕ P2	C1	C2
TBE6-4-01	6	4	R1/8	8	68.4	18.4	34.3	30.1	10	13	10	17	14.9
TBE8-4-02	8	4	R1/4	11	73.7	19.2	36.5	31.2	10	15	10	18.1	14.9
TBE8-6-02		6			80.7	21.3	40	34.7	12				17
TBE10-8-03	10	8	R3/8	12	93	23.7	46.7	40	14	17.5	15	20.7	18.1

Model	F1	F2	Width across flats H	Effective area (mm ²)	Mass (g) [oz.]
TBE6-4-01	34	8	12	5	24 [0.85]
TBE8-4-02	34	9.2	14	5.2	34 [1.20]
TBE8-6-02	40.2	9		9.6	37 [1.31]
TBE10-8-03	46.2	10.5	17	19.1	60 [2.12]

Note: The L1 dimensions are the reference dimensions after the fittings are assembled.



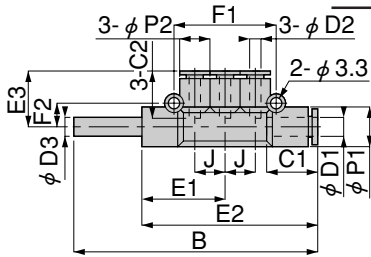
Dimensions (mm)

Branch union triple UBE



Model	Tube outer diameter ϕ D1	Tube outer diameter ϕ D2	Applicable fitting diameter ϕ D3	B	2-J	E1	E2	E3	ϕ P1	ϕ P2	C1	C2
UBE6-4	6	4	6	77.7	10	25.3	55.4	18.4	13	10	17	14.9
UBE8-4	8	4	8	81.2	10	26.5	57.7	19.2	15	10	18.1	14.9
UBE8-6		6		88.2	12	30	64.7	21.3		13		17
UBE10-8	10	8	10	100	14	35	75	23.7	17.5	15	20.7	18.1

Model	F1	F2	Effective area (mm ²)	Mass (g) [oz.]
UBE6-4	34	8	4	15 [0.53]
UBE8-4	34	9.2	4.4	18 [0.63]
UBE8-6	40.2	9	10	21 [0.74]
UBE10-8	46.2	10.5	20.3	31 [1.09]



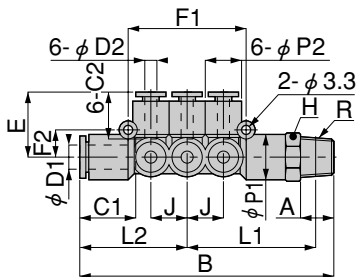
Branch triple double TBEW



Model	Tube outer diameter ϕ D1	Tube outer diameter ϕ D2	R	A	B	E	Note L1	L2	J	ϕ P1	ϕ P2	C1	C2
TBEW8-4-02	8	4	R1/4	11	80.7	20.7	40	34.7	12	15	13	18.1	14.9
TBEW8-4-03			R3/8	12	82.5		41.5						
TBEW8-6-02		6	R1/4	11	80.7	21.3	40						
TBEW8-6-03			R3/8	12	82.5	41.5							
TBEW10-6-03	10	6	R3/8	12	93	23.8	46.7	40	14	17.5	15	20.2	17
TBEW10-6-04			R1/2	15	96		47.8						
TBEW10-8-03		8	R3/8	12	93	23.7	46.7						
TBEW10-8-04			R1/2	15	96		47.8						

Model	F1	F2	Width across flats H	Effective area (mm ²)	Mass (g) [oz.]
TBEW8-4-02	40.2	9	14	4.5	45 [1.59]
TBEW8-4-03			17	4.6	58 [2.05]
TBEW8-6-02			14	10.2	47 [1.66]
TBEW8-6-03			17	10.3	60 [2.12]
TBEW10-6-03	46.2	10.5	17	10.6	70 [2.47]
TBEW10-6-04			21	11.1	93 [3.28]
TBEW10-8-03			17	20.6	74 [2.61]
TBEW10-8-04			21	19.4	96 [3.39]

Note: The L1 dimensions are the reference dimensions after the fittings are assembled.

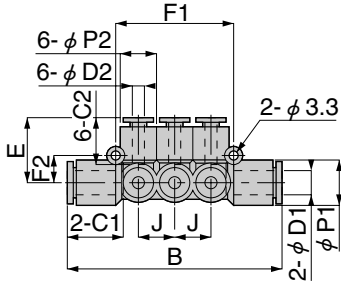


Dimensions (mm)

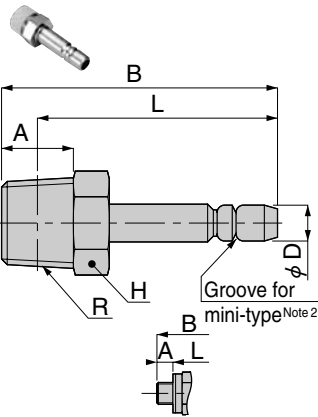
Different diameter triple double UEDW



Model	Tube outer diameter ϕ D1	Tube outer diameter ϕ D2	B	E	J	ϕ P1	ϕ P2	C1	C2	F1	F2	Effective area (mm ²)	Mass (g) [oz.]
UEDW8-4	8	4	69.4	20.7	12	15	13	18.1	14.9	40.2	9	4.5	31 [1.09]
UEDW8-6		6		21.3					17			10.3	32 [1.13]
UEDW10-6	10	6	80	23.8	14	17.5	15	20.1	17	46.2	10.5	10.7	44 [1.55]
UEDW10-8		8		23.7					18.1			19.6	48 [1.69]



Jack TJ



Metric thread type

Model	Tube outer diameter ϕ D	R	A	B	L ^{Note 1}	Width across flats H	Effective area (mm ²)	Mass (g) [oz.]
TJ4-M5	4	M5×0.8	3	27.5	24.5	8	2.2	4.1 [0.145]
TJ4-01		R1/8	8	30.5	26.5	10	3.8	8.4 [0.296]
TJ6-M5	6	M5×0.8	3	30.5	27.5	8	11.1	5.5 [0.194]
TJ6-01		R1/8	8	32.5	28.5	10		8.7 [0.307]
TJ6-02		R1/4	11	36.5	30.5	14	19 [0.67]	
TJ8-01 ^{Note 2}	8	R1/8	8	34	30	10	17.8	8.6 [0.303]
TJ8-02 ^{Note 2}		R1/4	11	37	31	14	23.1	18 [0.63]
TJ8-03 ^{Note 2}		R3/8	12	38.8	32.5	17	24.2	31 [1.09]
TJ10-03 ^{Note 2}	10	R3/8	12	41.5	35.2	17	43.1	30 [1.06]

Notes: 1. The L dimensions for the tapered thread type are the reference dimensions after the fittings are assembled.

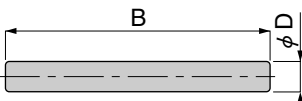
2. Models for tube outer diameters of 8mm [0.315in.] and 10mm [0.394in.] have no grooves for mini-type shown in the diagram.

Socket nipple AN

AN

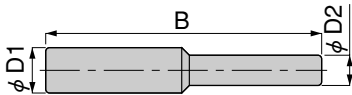


Model	Applicable fitting diameter ϕ D	B	Effective area (mm ²)	Mass (g) [oz.]
AN4	4	34.8	4.2	0.3 [0.011]
AN6	6	38.2	11.2	0.6 [0.021]
AN8	8	41.4	24.2	1 [0.035]
AN10	10	46.2	37.1	1.7 [0.060]
AN12	12	52.8	56	2.8 [0.099]
AN16	16	55.6	113.7	3.8 [0.134]



Dimensions (mm)

Different diameter socket nipple AND

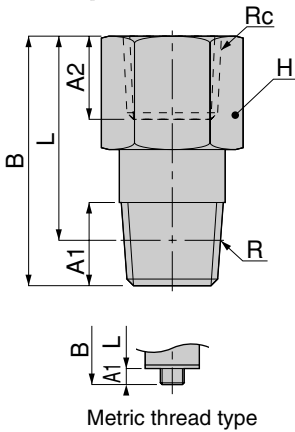


Model	$\phi D1$	$\phi D2$	B	Effective area (mm ²)	Mass (g) [oz.]
AND6-4	6	4	36.7	4.2	0.5 [0.018]
AND8-6	8	6	40.5	11.2	0.9 [0.032]
AND10-8	10	8	44	19	1.3 [0.046]
AND12-10	12	10	49.6	39.7	2.2 [0.078]
AND16-12	16	12	54.4	47.5	4.2 [0.148]

Extension bushing BB



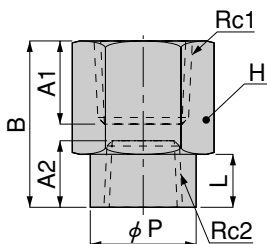
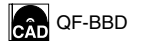
QUICK FITTINGS STANDARD TYPE



Model	R	Rc	A1	A2	B	L ^{Note}	Width across flats H	Effective area (mm ²)	Mass (g) [oz.]
BBM5-M5	M5×0.8	M5×0.8	3	5	19.5	16.5	8	2.2	5.3 [0.187]
BBM5-M5L		Rc1/8		8	23	20		6.2 [0.219]	
BBM5-01		Rc1/8	8	14.5	11.5	14	2.4	11 [0.39]	
BB01-M5	R1/8	M5×0.8	8	6	12	8	10	12	5.7 [0.201]
BB01-01		Rc1/8		8	28.5	24.5	14	22	18 [0.63]
BB01-02		Rc1/4		11	21	17	17	24.1	19 [0.67]
BB01-03		Rc3/8		12	22	18	21	23.9	28 [0.99]
BB02-M5	R1/4	M5×0.8	11	6	16	10	14	11.9	16 [0.56]
BB02-01		Rc1/8		8	19	13		24.1	17 [0.60]
BB02-02		Rc1/4		11	33	27	17	44.7	32 [1.13]
BB02-03		Rc3/8		12	25	19	21	46.7	
BB02-04	Rc1/2	15	30	24	24	46.5	44 [1.55]		
BB03-01	R3/8	Rc1/8	12	8	17.5	11.2	17	25.3	25 [0.88]
BB03-02		Rc1/4		11	22.5	16.2		43	27 [0.95]
BB03-03		Rc3/8		12	37	30.7	21	68.1	53 [1.87]
BB03-04		Rc1/2		15	31	24.7	24	67.5	47 [1.66]
BB04-04	R1/2	Rc1/2	15	15	43	34.8	24	80.9	86 [3.03]

Note: The L dimensions for the tapered thread type are the reference dimensions after the fittings are assembled.

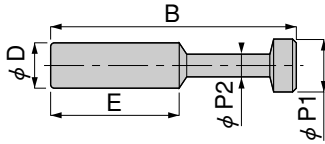
Different diameter extension socket BBD



Model	Rc1	Rc2	A1	A2	B	L	ϕP	Width across flats H	Effective area (mm ²)	Mass (g) [oz.]
BBD01-M5	Rc1/8	M5×0.8	8	5	17	7	8	14	5.3	12 [0.42]
BBD02-01	Rc1/4	Rc1/8	11	8	21	8	14	17	22.1	23 [0.81]
BBD03-01	Rc3/8	Rc1/8	12	8	22	8	14	21	28.8	32 [1.13]
BBD03-02		Rc1/4		11	25	11	17		37.7	36 [1.27]
BBD04-02	Rc1/2	Rc1/4	15	11	30	11	17	24	50.8	51 [1.80]
BBD04-03		Rc3/8		12	33	14	21		89.8	58 [2.05]

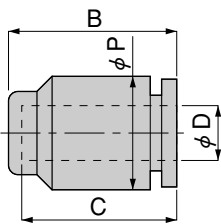
Dimensions (mm)

Plug UP



Model	Applicable fitting diameter ϕ D	B	E	ϕ P1	ϕ P2	Mass (g) [oz.]
UP4	4	27.5	15	5	3	0.3 [0.011]
UP6	6	32.5	17	7	3	0.7 [0.025]
UP8	8	36.5	18.1	9	4	1.1 [0.039]
UP10	10	42	20.2	11	5	1.9 [0.067]
UP12	12	44	23.4	13	6	2.4 [0.085]
UP16	16	46	24.1	17	8	4.2 [0.148]

Cap UC



Model	Tube outer diameter ϕ D	B	ϕ P	C	Mass (g) [oz.]
UC4	4	16.4	10	14.9	2.4 [0.085]
UC6	6	18.5	12.5	17	3.3 [0.116]
UC8	8	19.9	14.5	18.4	4.7 [0.166]
UC10	10	22.3	17.5	20.7	7.8 [0.275]
UC12	12	24.9	21	23.4	12 [0.42]

QUICK FITTINGS STANDARD TYPE

Stainless (SUS303) Specification

- Uses a Cr20%, Mo2% stainless steel suitable for operations requiring strength or for applications in corrosive atmospheres. Synthetic rubber (NBR) is used for the seal material.

- Cautions:**
1. Cannot be used with chemical media. For details, consult us.
 2. If planning to use in corrosive atmospheres, always consult us. Certain conditions may result in damage to the fitting body.
 3. For delivery, consult us.

Specifications

Media	Air
Maximum operating pressure	0.9MPa [131psi.]
Operating vacuum pressure	-100kPa [-29.54in.Hg]
Operating temperature range	0~60°C [32~140°F]
Recommended tube	Nylon tube, urethane tube
Sales unit	1 pack (10 pcs.)

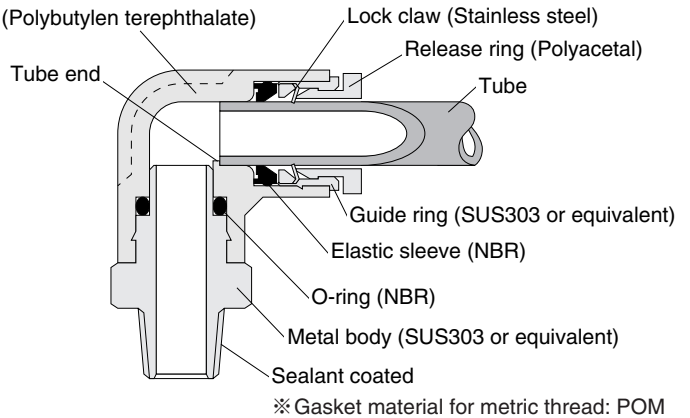
Remark: Supplied with a gasket or sealant coated.

Inner Construction, Major Parts and Materials

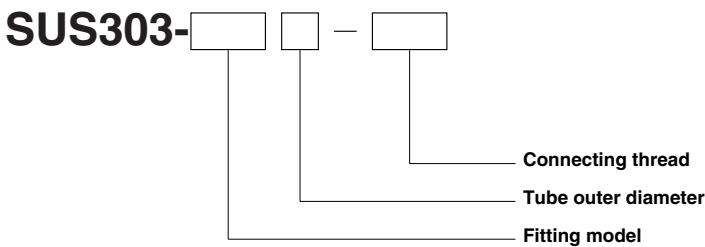
- To distinguish between the SUS304 fitting, the SUS303 fitting, and the standard specification fitting, see the table below.

ID section	SUS304 Fitting	SUS303 Fitting	Standard specification Fitting
Guide ring V groove	●	—	●
Flats on corners of hexagonal body section	●	—	—
Color of release ring	Dark blue	Dark blue	Black

Note: ● means available.



Order Codes



* For the fitting models, the tube size, and thread combinations, see p.279~280.

● **SUS303-TS** Straight 281



Tube size	Thread size						
	M5×0.8	M6×1	R1/8	R1/4	R3/8	R1/2	
4	M50	M5	M6	01	02	—	—
6	—	M5	M6	01	02	03	—
8	—	—	01	02	03	—	—
10	—	—	01	02	03	04	—
12	—	—	—	02	03	04	—
16	—	—	—	—	03	04	—

● **SUS303-US** Union straight 281



Tube size
4
6
8
10
12
16

● **SUS303-USD**
Different diameter union 281



Tube size
6-4
8-6
10-8
12-10
16-12

● **SUS303-TL** Elbow 282



Tube size	Thread size					
	M5×0.8	M6×1	R1/8	R1/4	R3/8	R1/2
4	M5	M6	01	02	—	—
6	M5	M6	01	02	03	—
8	—	—	01	02	03	—
10	—	—	01	02	03	04
12	—	—	—	02	03	04
16	—	—	—	—	03	04

● **SUS303-UL** Union elbow 282



Tube size
4
6
8
10
12
16

● **SUS303-TT** Tee 283



Tube size	Thread size					
	M5×0.8	M6×1	R1/8	R1/4	R3/8	R1/2
4	M5	M6	01	02	—	—
6	M5	M6	01	02	03	—
8	—	—	01	02	03	—
10	—	—	01	02	03	04
12	—	—	—	02	03	04
16	—	—	—	—	03	04

● **SUS303-TB** Branch tee 284



Tube size	Thread size					
	M5×0.8	M6×1	R1/8	R1/4	R3/8	R1/2
4	M5	M6	01	02	—	—
6	M5	M6	01	02	03	—
8	—	—	01	02	03	—
10	—	—	01	02	03	04
12	—	—	—	02	03	04
16	—	—	—	—	03	04

● **SUS303-UT**
Union tee 284



Tube size
4
6
8
10
12
16

● **SUS303-UTD**
Different diameter union tee 285



Tube size
6-4
8-6
10-8
12-10

● **SUS303-TBY**
Branch Y 285



Tube size	Thread size					
	M5×0.8	M6×1	R1/8	R1/4	R3/8	R1/2
4	M5	M6	01	02	—	—
6	M5	M6	01	02	03	—
8	—	—	01	02	03	—
10	—	—	01	02	03	04
12	—	—	—	02	03	04

● **SUS303-TBLY** Branch elbow Y 286



Tube size	Thread size					
	M5×0.8	M6×1	R1/8	R1/4	R3/8	R1/2
4	M5	M6	01	02	—	—
6	M5	M6	01	02	03	—
8	—	—	01	02	03	—
10	—	—	01	02	03	04
12	—	—	—	02	03	04

● **SUS303-UY**
Union Y 286



Tube size
4
6
8
10
12

● **SUS303-UYD**
Different diameter union Y 286



Tube size
6-4
8-6
10-8
12-10

● **SUS303-ULY**
Union elbow Y 287



Tube size
4
6
8
10
12

● **SUS303-UZ**
Tetra union 287



Tube size
4
6
8
10
12

● **SUS303-TBZ** Branch tetra 288



Tube size	Thread size					
	M5×0.8	M6×1	R1/8	R1/4	R3/8	R1/2
4	M5	M6	01	02	—	—
6	M5	M6	01	02	03	—
8	—	—	01	02	03	—
10	—	—	01	02	03	04
12	—	—	—	02	03	04

● **SUS303-UWD**
Different diameter double Y 288



Tube size
6-4
8-6

● **SUS303-TBW**
Branch double Y 288



Tube size	Thread size	
	R1/8	R1/4
4	01	02
6	01	—

● **SUS303-UED**
Different diameter triple 289



Tube size
6-4
8-4
8-6
10-6
10-8

● **SUS303-TBE** Branch triple 289



Tube size	Thread size		
	R1/8	R1/4	R3/8
6-4	01	—	—
8-4	—	02	—
8-6	—	02	—
10-8	—	—	03

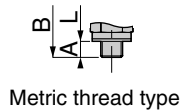
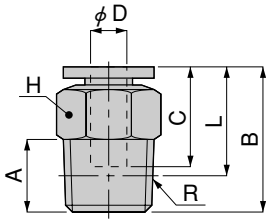
● **SUS303-UC** Cap 289



Tube size
4
6
8
10
12

Dimensions (mm)

SUS303 straight SUS303-TS

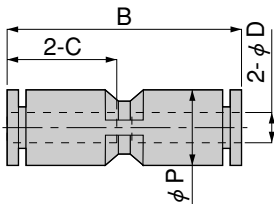


Metric thread type

Model	Tube outer diameter ϕD	R	A	B	L ^{Note}	C	Width across flats H	Effective area (mm ²)	Mass (g) [oz.]	
SUS303-TS4-M5	4	M5×0.8	3.2	20	16.8	14.9	10	1.9	5.6 [0.198]	
SUS303-TS4-M50				22.9	19.7		8		5.9 [0.208]	
SUS303-TS4-M6		M6×1	4	21	17		10	6.2	5.7 [0.201]	
SUS303-TS4-01			R1/8				8	5.3	7.5 [0.265]	
SUS303-TS4-02			R1/4				11	15	14	15 [0.53]
SUS303-TS6-M5	6	M5×0.8	3.2	22.1	18.9	17	12	1.9	8.1 [0.286]	
SUS303-TS6-M6				23.1	19.1				6.2	8.6 [0.303]
SUS303-TS6-01		R1/8	8	24.6	18.5		14	12.5	8.3 [0.293]	
SUS303-TS6-02			R1/4				11	16 [0.56]		
SUS303-TS6-03			R3/8				12	17.2	17	25 [0.88]
SUS303-TS8-01	8	R1/8	8	27.9	23.9	18.2	14	20	14 [0.49]	
SUS303-TS8-02		R1/4	11	26.6	20.6				17	21 [0.74]
SUS303-TS8-03		R3/8	12	23.9	17.6					
SUS303-TS10-01	10	R1/8	8	30.3	26.3	20.7	17	22.9	21 [0.74]	
SUS303-TS10-02		R1/4	11	29.8	23.8				19 [0.67]	
SUS303-TS10-03		R3/8	12	29.3	23		35	24 [0.85]		
SUS303-TS10-04		R1/2	15	30.3	22.1		21	46 [1.62]		
SUS303-TS12-02	12	R1/4	11	35.9	29.9	23.3	21	35	40 [1.41]	
SUS303-TS12-03		R3/8	12	31.9	25.6				59	32 [1.13]
SUS303-TS12-04		R1/2	15	33.9	25.7				45 [1.59]	
SUS303-TS16-03	16	R3/8	12	39.3	33	24.8	24	83.3	54 [1.90]	
SUS303-TS16-04		R1/2	15	41.3	33.1				114	61 [2.15]

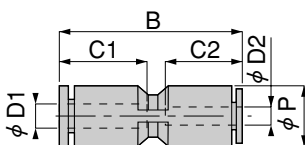
Note: The L dimensions for the tapered thread type are the reference dimensions after the fittings are assembled.

SUS303 union straight SUS303-US



Model	Tube outer diameter ϕD	B	ϕP	C	Effective area (mm ²)	Mass (g) [oz.]
SUS303-US4	4	30.8	10	14.9	5.3	4.4 [0.155]
SUS303-US6	6	34.9	12.5	17	12.5	6.2 [0.219]
SUS303-US8	8	37.8	14.5	18.4	20	8.8 [0.310]
SUS303-US10	10	43.4	17.5	21.2	35	15 [0.53]
SUS303-US12	12	47.8	21	23.4	59	21 [0.74]
SUS303-US16	16	49.4	25	24.1	147.6	24 [0.85]

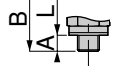
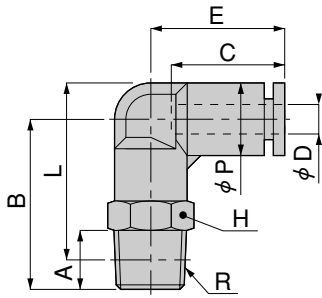
SUS303 different diameter union SUS303-USD



Model	Tube outer diameter $\phi D1$	Tube outer diameter $\phi D2$	B	ϕP	C1	C2	Effective area (mm ²)	Mass (g) [oz.]
SUS303-USD6-4	6	4	34.4	12.5	17	14.9	5.3	6 [0.212]
SUS303-USD8-6	8	6	37.9	14.5	18.4	17	12.5	8.3 [0.293]
SUS303-USD10-8	10	8	43.1	17.5	21.2	18.4	20	14 [0.49]
SUS303-USD12-10	12	10	47.6	21	23.4	21.2	35	20 [0.71]
SUS303-USD16-12	16	12	49.5	25	24.1	23.4	88.6	26 [0.92]

Dimensions (mm)

SUS303 elbow SUS303-TL

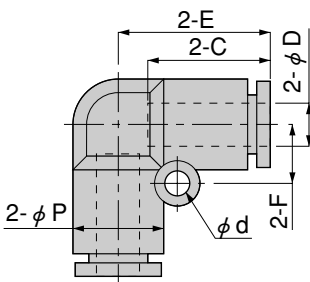


Metric thread type

Model	Tube outer diameter ϕD	R	A	B	L ^{Note}	ϕP	C	E	Width across flats H	Effective area (mm ²)	Mass (g) [oz.]
SUS303-TL4-M5	4	M5X0.8	3.2	20.3	22.1	10	14.9	18	10	1.5	7.3 [0.257]
SUS303-TL4-M6		M6X1	4	21.3	22.3					6.1	7.6 [0.268]
SUS303-TL4-01		R1/8	8	23.3	24.3					4.2	10 [0.35]
SUS303-TL4-02		R1/4	11	26.3	25.3						
SUS303-TL6-M5	6	M5X0.8	3.2	22	25.1	12.5	16.8	19.8	12	1.5	11 [0.39]
SUS303-TL6-M6		M6X1	4	23	25.3					6.1	12 [0.42]
SUS303-TL6-01		R1/8	8	25	27.3					10	13 [0.46]
SUS303-TL6-02		R1/4	11	28	28.2						
SUS303-TL6-03		R3/8	12	29.8	29.7					17	32 [1.13]
SUS303-TL8-01		R1/8	8	28	31.3					14.5	18.2
SUS303-TL8-02	R1/4	11	31	32.2	17	22 [0.78]					
SUS303-TL8-03	R3/8	12	32.8	33.7	34 [1.20]						
SUS303-TL10-01	10	R1/8	8	33	37.8	17.5	20.2	26.2	17	22.4	29 [1.02]
SUS303-TL10-02		R1/4	11	36	38.7					30	31 [1.09]
SUS303-TL10-03		R3/8	12	37	39.4						
SUS303-TL10-04		R1/2	15	40	40.6					59 [2.08]	
SUS303-TL12-02	12	R1/4	11	38	42.5	21	23.4	29.4	21	30	47 [1.66]
SUS303-TL12-03		R3/8	12	39	43.2					47	48 [1.69]
SUS303-TL12-04		R1/2	15	42	44.3					63 [2.22]	
SUS303-TL16-03	16	R3/8	11	47	53.2	25	24.1	33.1	22	80.2	76 [2.68]
SUS303-TL16-04		R1/2	15	51	55.3					93.3	80 [2.82]

Note: The L dimensions for the tapered thread type are the reference dimensions after the fittings are assembled.

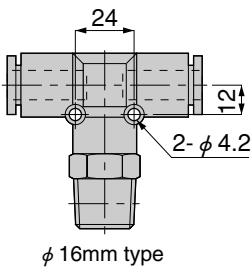
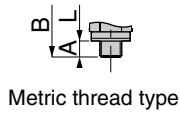
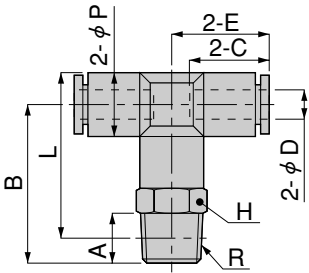
SUS303 union elbow SUS303-UL



Model	Tube outer diameter ϕD	ϕP	C	E	ϕd	F	Effective area (mm ²)	Mass (g) [oz.]
SUS303-UL4	4	10	14.9	16.9	3.2	6.5	4.2	4.7 [0.166]
SUS303-UL6	6	12.5	16.9	20.1	3.2	8	10	6.9 [0.243]
SUS303-UL8	8	15	18.4	22.4	4.2	10	16.5	11 [0.39]
SUS303-UL10	10	17.5	20.7	26.2	4.2	12	30	16 [0.56]
SUS303-UL12	12	21	23.4	29.4	4.2	14	47	24 [0.85]
SUS303-UL16	16	25	24.1	33.1	4.2	12	91.6	29 [1.02]

Dimensions (mm)

SUS303 tee SUS303-TT

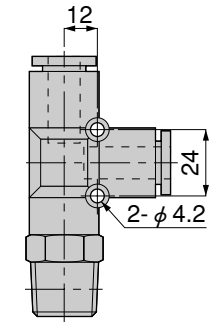
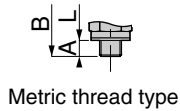
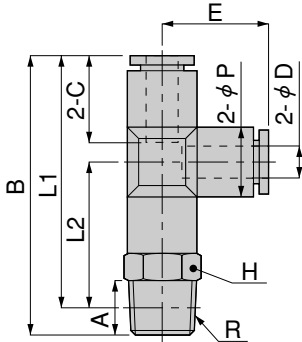


Model	Tube outer diameter φ D	R	A	B	L ^{Note}	φ P	C	E	Width across flats H	Effective area (mm ²)	Mass (g) [oz.]
SUS303-TT4-M5	4	M5×0.8	3.2	20.3	22.1	10	14.9	16.9	10	1.5	9.4 [0.332]
SUS303-TT4-M6		M6×1	4	21.3	22.3					9.7 [0.342]	
SUS303-TT4-01		R1/8	8	23.3	24.3					4.1	13 [0.46]
SUS303-TT4-02		R1/4	11	26.3	25.3					14	21 [0.74]
SUS303-TT6-M5	6	M5×0.8	3.2	23	26.3	13	17	20.15	12	1.5	15 [0.53]
SUS303-TT6-M6		M6×1	4	24	26.5					6.8	
SUS303-TT6-01		R1/8	8	26	28.5					10	17 [0.60]
SUS303-TT6-02		R1/4	11	29	29.5					14	24 [0.85]
SUS303-TT6-03	R3/8	12	30.8	31	17	36 [1.27]					
SUS303-TT8-01	8	R1/8	8	26.3	29.8	15	18.4	22.4	14	16.5	21 [0.74]
SUS303-TT8-02		R1/4	11	29.3	30.8						26 [0.92]
SUS303-TT8-03		R3/8	12	31.1	32.3						17
SUS303-TT10-01	10	R1/8	8	33	37.8	17.5	20.2	25.2	17	30	36 [1.27]
SUS303-TT10-02		R1/4	11	36	38.7						38 [1.34]
SUS303-TT10-03		R3/8	12	37	39.4						46 [1.62]
SUS303-TT10-04		R1/2	15	40	40.6						21
SUS303-TT12-02	12	R1/4	11	38	42.5	21	22.9	28.4	21	47	30
SUS303-TT12-03		R3/8	12	39	43.2						58 [2.05]
SUS303-TT12-04		R1/2	15	42	44.3						73 [2.57]
SUS303-TT16-03	16	R3/8	11	47	53.2	25	24.1	33.1	22	90.8	80.1
SUS303-TT16-04		R1/2	15	51	55.3						92 [3.25]

Note: The L dimensions for the tapered thread type are the reference dimensions after the fittings are assembled.

Dimensions (mm)

SUS303 branch tee SUS303-TB



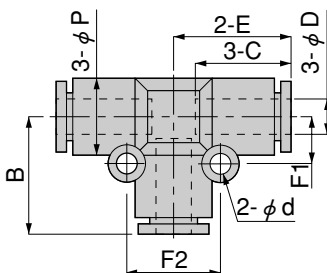
φ 16mm type

Model	Tube outer diameter φ D	R	A	B	Note L1	φ P	C	Note L2	E	Width across flats H	Effective area (mm ²)	Mass (g) [oz.]
SUS303-TB4-M5	4	M5X0.8	3.2	37.2	34	10	14.9	17.1	16.9	10	1.9	9.4 [0.332]
SUS303-TB4-M6		M6X1	4	38.2	34.2			17.3			9.7 [0.342]	
SUS303-TB4-01		R1/8	8	40.2	36.2			19.3			5.3	13 [0.46]
SUS303-TB4-02		R1/4	11	43.2	37.2			20.3			14	21 [0.74]
SUS303-TB6-M5	6	M5X0.8	3.2	43.2	40	13	17	19.8	20.2	12	1.9	15 [0.53]
SUS303-TB6-M6		M6X1	4	44.2	40.2			20			6.4	17 [0.60]
SUS303-TB6-01		R1/8	8	46.2	42.2			22			12.5	24 [0.85]
SUS303-TB6-02		R1/4	11	49.2	43.1			23			14	35 [1.23]
SUS303-TB6-03	R3/8	12	51	44.6	24.5	17	35 [1.23]					
SUS303-TB8-01	8	R1/8	8	50.4	46.4	15	18.1	24.2	22.2	14	20	21 [0.74]
SUS303-TB8-02		R1/4	11	53.4	47.4			25.2			27 [0.95]	
SUS303-TB8-03		R3/8	12	55.2	48.9			26.7			17	38 [1.34]
SUS303-TB10-01	10	R1/8	8	58.2	54.2	17.5	20.2	29	25.2	17	35	36 [1.27]
SUS303-TB10-02		R1/4	11	61.2	55.2			30			38 [1.34]	
SUS303-TB10-03		R3/8	12	62.2	55.9			30.7			46 [1.62]	
SUS303-TB10-04		R1/2	15	65.2	57			31.8			21	65 [2.29]
SUS303-TB12-02	12	R1/4	11	66.6	60.6	21	22.9	32.2	28.2	21	35	57 [2.01]
SUS303-TB12-03		R3/8	12	67.6	61.3			32.9			59	58 [2.05]
SUS303-TB12-04		R1/2	15	70.6	62.4			34			72 [2.54]	
SUS303-TB16-03	16	R3/8	11	80.1	73.8	25	24.1	40.7	33.1	22	79.5	89 [3.14]
SUS303-TB16-04		R1/2	15	84.1	75.9			42.8			92.8	93 [3.28]

Note: The L1 and L2 dimensions for the tapered thread type are the reference dimensions after the fittings are assembled.

QUICK FITTINGS STANDARD TYPE

SUS303 union tee SUS303-UT



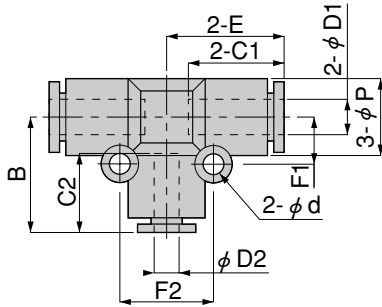
Model	Tube outer diameter φ D	φ P	C	E	φ d	F1	F2	B	Effective area (mm ²)	Mass (g) [oz.]
SUS303-UT4	4	10	14.9	16.9	3.2	6.5	13	16.9	5.3	7.1 [0.250]
SUS303-UT6	6	13	17	20.05	3.5	8	16	20.1	12.5	11 [0.39]
SUS303-UT8	8	15	18.2	22.2	3.5	9	18	22.2	20	15 [0.53]
SUS303-UT10	10	17.5	20.2	25.2	4.2	12	24	25.2	35	24 [0.85]
SUS303-UT12	12	21	22.9	28.4	4.2	14	28	28.2	59	34 [1.20]
SUS303-UT16	16	25	24.1	33.1	4.2	12	24	33.1	89.8	41 [1.45]

Dimensions (mm)

SUS303 different diameter union tee SUS303-UTD



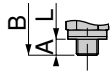
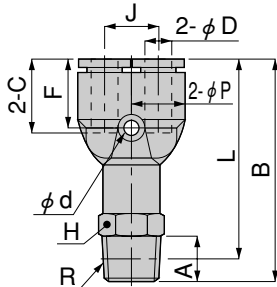
Model	Tube outer diameter ϕ D1	Tube outer diameter ϕ D2	ϕ P	C1	C2	E	ϕ d	F1	F2	B	Effective area (mm ²)	Mass (g) [oz.]
SUS303-UTD6-4	6	4	13	17	14.9	20.05	3.5	8	16	19.5	4.1	11 [0.39]
SUS303-UTD8-6	8	6	15	18.2	16.9	22.2	3.5	9	18	22.3	10.3	15 [0.53]
SUS303-UTD10-8	10	8	17.5	20.2	18.1	25.2	4.2	12	24	24.9	19.6	23 [0.81]
SUS303-UTD12-10	12	10	21	22.9	20.7	28.4	4.2	14	28	28	32.5	33 [1.16]



SUS303 branch Y SUS303-TBY



Model	Tube outer diameter ϕ D	R	A	B	L ^{Note}	ϕ P	C	J	ϕ d	F	Width across flats H	Effective area (mm ²)	Mass (g) [oz.]
SUS303-TBY4-M5	4	M5×0.8	3.2	37.6	34.4	10	14.9	11	3.4	14.1	10	1.5	9.9 [0.349]
SUS303-TBY4-M6		M6×1	4	38.6	34.6								11 [0.39]
SUS303-TBY4-01		R1/8	8	40.6	36.6							4.2	13 [0.46]
SUS303-TBY4-02		R1/4	11	43.6	37.6								21 [0.74]
SUS303-TBY6-M5	6	M5×0.8	3.2	41.4	38.2	12.5	17	12	3.2	15.8	12	1.5	15 [0.53]
SUS303-TBY6-M6		M6×1	4	42.4	38.4								
SUS303-TBY6-01		R1/8	8	44.4	40.4							10	17 [0.60]
SUS303-TBY6-02		R1/4	11	47.4	41.3								24 [0.85]
SUS303-TBY6-03	R3/8	12	49.2	42.8	17	36 [1.27]							
SUS303-TBY8-01	8	R1/8	8	48.7	44.7	14.5	18.1	14	3.2	17.2	14	16.5	22 [0.78]
SUS303-TBY8-02		R1/4	11	51.7	45.7								27 [0.95]
SUS303-TBY8-03		R3/8	12	53.5	47.2							17	39 [1.38]
SUS303-TBY10-01	10	R1/8	8	55.3	51.3	18	20.7	18	4.5	19.5	17	30	38 [1.34]
SUS303-TBY10-02		R1/4	11	58.3	52.3								40 [1.41]
SUS303-TBY10-03		R3/8	12	59.3	53							48 [1.69]	
SUS303-TBY10-04		R1/2	15	62.3	54.1								21
SUS303-TBY12-02	12	R1/4	11	63.5	57.5	21	23.4	20	4.2	22.2	21	37	59 [2.08]
SUS303-TBY12-03		R3/8	12	64.5	58.2								61 [2.15]
SUS303-TBY12-04		R1/2	15	67.5	59.3							75 [2.65]	

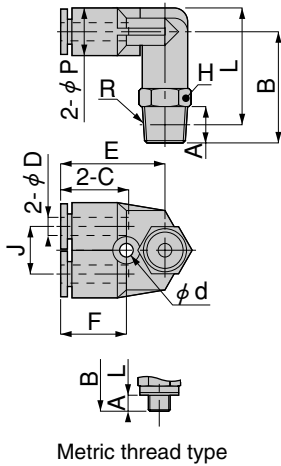


Metric thread type

Note: The L dimensions for the tapered thread type are the reference dimensions after the fittings are assembled.

Dimensions (mm)

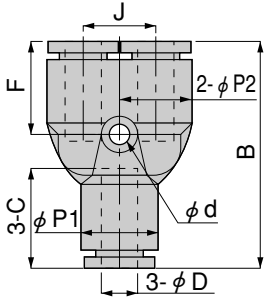
SUS303 branch elbow Y SUS303-TBLY



Model	Tube outer diameter ϕD	R	A	B	^{Note} L	ϕP	C	J	E	Width across flats H	ϕd	F	Effective area (mm ²)	Mass (g) [oz.]	
SUS303-TBLY4-M5	4	M5X0.8	3.2	21.7	23.5	10	14.9	11	22.7	10	3.2	14.2	2.2	11 [0.39]	
SUS303-TBLY4-M6		M6X1	4	22.7	23.7								2.5		
SUS303-TBLY4-01		R1/8	8	24.7	25.7								2.7		14 [0.49]
SUS303-TBLY4-02		R1/4	11	27.7	26.7								2.5		22 [0.78]
SUS303-TBLY6-M5	6	M5X0.8	3.2	25	28.1	12.5	17	12	26.2	12	4.2	15.5	2.2	16 [0.56]	
SUS303-TBLY6-M6		M6X1	4	26	28.3								6.4		17 [0.60]
SUS303-TBLY6-01		R1/8	8	28	30.3								6.9		18 [0.63]
SUS303-TBLY6-02		R1/4	11	31	31.2								6.6		25 [0.88]
SUS303-TBLY6-03		R3/8	12	32.8	32.7								6.8		37 [1.31]
SUS303-TBLY8-01		R1/8	8	31	34.3								14.6		23 [0.81]
SUS303-TBLY8-02	R1/4	11	34	35.2	14.5	29 [1.02]									
SUS303-TBLY8-03	R3/8	12	35.8	36.7	15	40 [1.41]									
SUS303-TBLY10-01	10	R1/8	8	34	38.8	17.5	20.2	18	33.5	17	4.2	18.5	15	40 [1.41]	
SUS303-TBLY10-02		R1/4	11	37	39.7								26.1		42 [1.48]
SUS303-TBLY10-03		R3/8	12	38	40.4								27.2		49 [1.73]
SUS303-TBLY10-04		R1/2	15	41	41.6								29.9		69 [2.43]
SUS303-TBLY12-02	12	R1/4	11	41.2	45.7	21	23.4	20	35.2	21	4.2	20.7	38.2	62 [2.19]	
SUS303-TBLY12-03		R3/8	12	42.2	46.4								43.1		63 [2.22]
SUS303-TBLY12-04		R1/2	15	45.2	47.5								42.1		78 [2.75]

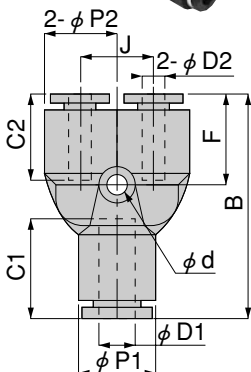
Note: The L dimensions for the tapered thread type are the reference dimensions after the fittings are assembled.

SUS303 union Y SUS303-UY



Model	Tube outer diameter ϕD	B	$\phi P1$	$\phi P2$	C	J	ϕd	F	Effective area (mm ²)	Mass (g) [oz.]
SUS303-UY4	4	32.8	10	10	14.9	11	3.4	14.1	4.2	7.2 [0.254]
SUS303-UY6	6	37.7	13	12.5	17	12	3.4	15.8	10	10 [0.35]
SUS303-UY8	8	42.4	15	14.5	18.1	14	3.2	17.2	16.5	15 [0.53]
SUS303-UY10	10	48.4	18	18	20.7	18	4.5	19.5	27	25 [0.88]
SUS303-UY12	12	54.8	21.5	21	23.4	20	4.2	22.2	38	35 [1.23]

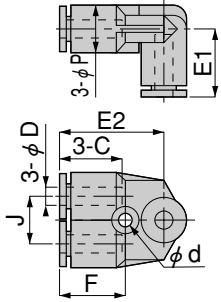
SUS303 different diameter union Y SUS303-UYD



Model	Tube outer diameter $\phi D1$	Tube outer diameter $\phi D2$	B	$\phi P1$	$\phi P2$	C1	C2	J	ϕd	F	Effective area (mm ²)	Mass (g) [oz.]
SUS303-UYD6-4	6	4	37.2	13	12.5	17	14.9	12	3.2	15.2	4.2	9.7 [0.342]
SUS303-UYD8-6	8	6	42.4	15	14.5	18.1	17	14	3.2	17.3	10	14 [0.49]
SUS303-UYD10-8	10	8	48.1	18	18	20.7	18.2	18	4.5	19.2	17	22 [0.78]
SUS303-UYD12-10	12	10	54.6	21.5	21	23.4	20.2	20	4.2	22	27	34 [1.20]

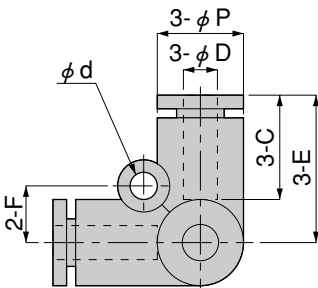
Dimensions (mm)

SUS303 union elbow Y SUS303-ULY



Model	Tube outer diameter ϕD	E1	ϕP	C	J	E2	ϕd	F	Effective area (mm ²)	Mass (g) [oz.]
SUS303-ULY4	4	16.9	10	14.9	11	22.7	3.2	14.2	2.5	7.8 [0.275]
SUS303-ULY6	6	19.8	12.5	17	12	26.2	4.2	15.5	7.2	11 [0.39]
SUS303-ULY8	8	22.7	14.5	18.1	14	29.4	4.2	16.9	16.3	16 [0.56]
SUS303-ULY10	10	25	17.5	20.2	18	33.5	4.2	18.5	27.9	26 [0.92]
SUS303-ULY12	12	29.4	21	23.4	20	35.2	4.2	20.7	40	37 [1.31]

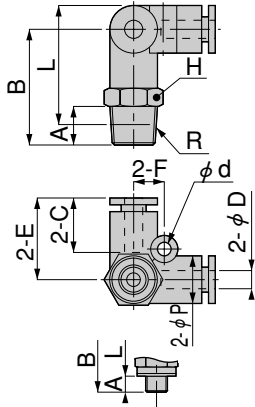
SUS303 tetra union SUS303-UZ



Model	Tube outer diameter ϕD	ϕP	C	E	ϕd	F	Effective area (mm ²)	Mass (g) [oz.]
SUS303-UZ4	4	10	14.9	16.9	3.2	6.5	3.7	7 [0.247]
SUS303-UZ6	6	12.5	17	20.1	4.2	8	8.3	9.8 [0.346]
SUS303-UZ8	8	14.5	18.1	22.1	4.2	10	16	15 [0.53]
SUS303-UZ10	10	17.5	20.2	26.2	4.2	12	30.2	24 [0.85]
SUS303-UZ12	12	21	23.4	29.4	4.2	14	40.2	34 [1.20]

Dimensions (mm)

SUS303 branch tetra SUS303-TBZ

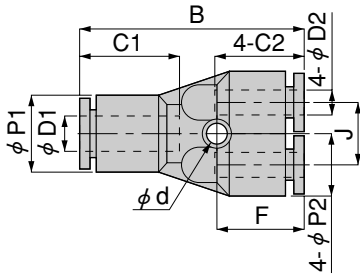


Metric thread type

Model	Tube outer diameter ϕD	R	A	B	Note L	ϕP	C	E	Width across flats H	ϕd	F	Effective area (mm ²)	Mass (g) [oz.]
SUS303-TBZ4-M5	4	M5X0.8	3.2	21.7	23.5	10	14.9	16.9	10	3.2	6.5	2.3	9.7 [0.342]
SUS303-TBZ4-M6		M6X1	4	22.7	23.7							3.6	10 [0.35]
SUS303-TBZ4-01		R1/8	8	24.7	25.7				4			13 [0.46]	
SUS303-TBZ4-02		R1/4	11	27.7	26.7				14			3.5	21 [0.74]
SUS303-TBZ6-M5	6	M5X0.8	3.2	25.3	28.4	12.5	17	20.1	12	4.2	8	2.3	15 [0.53]
SUS303-TBZ6-M6		M6X1	4	26.3	28.6							5.9	16 [0.56]
SUS303-TBZ6-01		R1/8	8	28.3	30.6				8.5			17 [0.60]	
SUS303-TBZ6-02		R1/4	11	31.3	31.5				8			24 [0.85]	
SUS303-TBZ6-03	R3/8	12	33.1	33	17	8.4	36 [1.27]						
SUS303-TBZ8-01	8	R1/8	8	30.4	33.7	14.5	18.1	22.1	14	4.2	10	17.1	22 [0.78]
SUS303-TBZ8-02		R1/4	11	33.4	34.6							17.5	27 [0.95]
SUS303-TBZ8-03		R3/8	12	35.2	36.1				17			17.4	39 [1.38]
SUS303-TBZ10-01	10	R1/8	8	35.2	40	17.5	20.2	26.2	17	4.2	12	17.4	38 [1.34]
SUS303-TBZ10-02		R1/4	11	38.2	40.9							31.5	40 [1.41]
SUS303-TBZ10-03		R3/8	12	39.2	41.6				28.1			48 [1.69]	
SUS303-TBZ10-04		R1/2	15	42.2	42.8				24.3			67 [2.36]	
SUS303-TBZ12-02	12	R1/4	11	41.2	45.7	21	23.4	29.4	21	4.2	14	40.9	59 [2.08]
SUS303-TBZ12-03		R3/8	12	42.2	46.4							45	60 [2.12]
SUS303-TBZ12-04		R1/2	15	45.2	47.5				44.8			76 [2.68]	

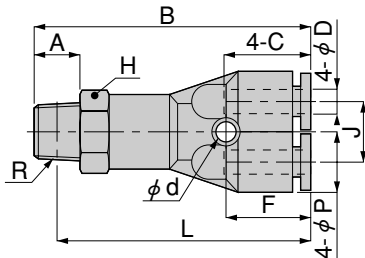
Note: The L dimensions for the tapered thread type are the reference dimensions after the fittings are assembled.

SUS303 different diameter double Y SUS303-UWD



Model	Tube outer diameter $\phi D1$	Tube outer diameter $\phi D2$	B	$\phi P1$	$\phi P2$	C1	C2	J	ϕd	F	Effective area (mm ²)	Mass (g) [oz.]
SUS303-UWD6-4	6	4	37.5	13	10.5	17	14.9	10	3.2	14.2	1.5	13 [0.46]
SUS303-UWD8-6	8	6	42	14	13	18.2	17	13	3.5	15.8	8.2	20 [0.71]

SUS303 branch double Y SUS303-TBW



Model	Tube outer diameter ϕD	R	A	B	Note L	ϕP	C	J	Width across flats H	ϕd	F	Effective area (mm ²)	Mass (g) [oz.]
SUS303-TBW4-01	4	R1/8	8	45.7	41.7	10.5	14.9	10	12	3.2	14.2	1.5	20 [0.71]
SUS303-TBW4-02		R1/4	11	48.7	42.7				14			1.4	27 [0.95]
SUS303-TBW6-01	6	R1/8	8	50.3	46.3	13	17	13	14	3.5	15.8	9	27 [0.95]

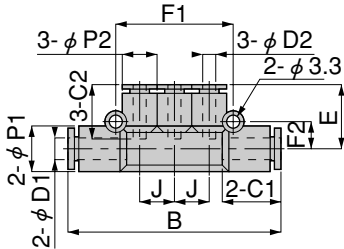
Note: The L dimensions for the tapered thread type are the reference dimensions after the fittings are assembled.

Dimensions (mm)

SUS303 different diameter triple SUS303-UED



Model	Tube outer diameter ϕ D1	Tube outer diameter ϕ D2	B	E	J	ϕ P1	ϕ P2	C1	C2	F1	F2	Effective area (mm ²)	Mass (g) [oz.]
SUS303-UED6-4	6	4	60.1	18.4	10	13	10	17	14.9	34	8	5	15 [0.53]
SUS303-UED8-4	8	4	62.4	19.2	10	15	10	18.1	14.9	34	9.2	6	19 [0.67]
SUS303-UED8-6		6	69.4	21.3	12		13		17	40.2	9	10.1	22 [0.78]
SUS303-UED10-6	10	6	80	23.8	14	17.5	15	20.7	17	46.2	10.5	11.2	30 [1.06]
SUS303-UED10-8		8		23.7					18.1			19.1	32 [1.13]

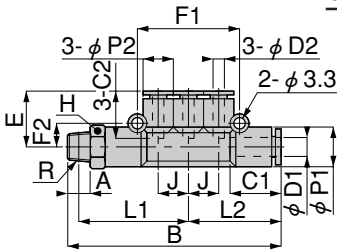


SUS303 branch triple SUS303-TBE

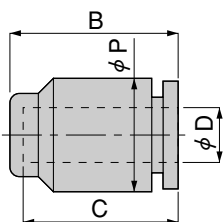


Model	Tube outer diameter ϕ D1	Tube outer diameter ϕ D2	R	A	B	E	L1	L2	J	ϕ P1	ϕ P2	C1	C2
SUS303-TBE6-4-01	6	4	R1/8	8	68.4	18.4	34.3	30.1	10	13	10	17	14.9
SUS303-TBE8-4-02	8	4	R1/4	11	73.7	19.2	36.5	31.2	10	15	10	18.1	14.9
SUS303-TBE8-6-02		6			80.7	21.3	40	34.7	12		13		17
SUS303-TBE10-8-03	10	8	R3/8	12	93	23.7	46.7	40	14	17.5	15	20.7	18.1

Model	F1	F2	Width across flats H	Effective area (mm ²)	Mass (g) [oz.]
SUS303-TBE6-4-01	34	8	12	5	22 [0.78]
SUS303-TBE8-4-02	34	9.2	14	5.2	31 [1.09]
SUS303-TBE8-6-02	40.2	9		9.6	34 [1.20]
SUS303-TBE10-8-03	46.2	10.5	17	19.1	55 [1.94]



SUS303 cap SUS303-UC



Model	Tube outer diameter ϕ D	B	ϕ P	C	Mass (g) [oz.]
SUS303-UC4	4	16.4	10	14.9	2.2 [0.078]
SUS303-UC6	6	18.5	12.5	17	3.1 [0.109]
SUS303-UC8	8	19.9	14.5	18.4	4.4 [0.155]
SUS303-UC10	10	22.3	17.5	20.7	7.3 [0.257]
SUS303-UC12	12	24.9	21	23.4	11 [0.39]

QUICK FITTINGS STANDARD TYPE

Stainless (SUS304) Specification

- Suitable for operations requiring strength or for applications in atmospheres containing chemical substances. (In certain conditions, chemical media is acceptable.)
- Uses SUS304 stainless steel, and fluoro rubber is used for the seal material.

- Cautions:**
1. For the use of any chemical media, consult us. Certain conditions may entail dangerous risks, including damage to the fitting body, tube disconnections, and/or leakages.
 2. For delivery, consult us.

Specifications

Media	Air and chemical media, etc. (Restriction ^{Note})
Maximum operating pressure	0.9MPa [131psi.]
Operating vacuum pressure	-100kPa [-29.54in.Hg]
Operating temperature range	0~60°C [32~140°F]
Recommended tube	Nylon tube, urethane tube
Sales unit	1 pack (1 pc.)

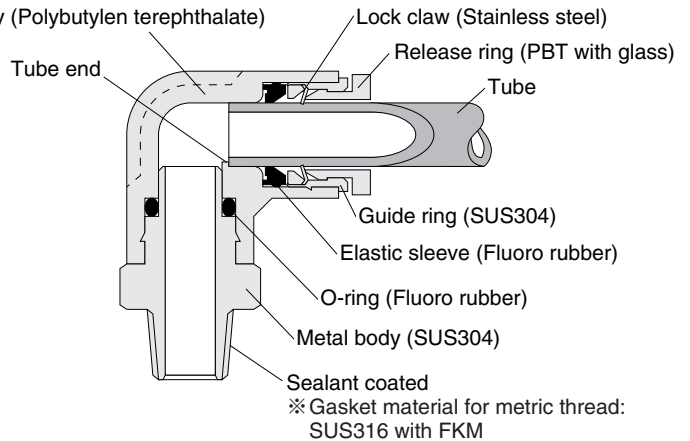
Note: For the use of any other chemical media, consult us.
Remark: Supplied with a gasket or sealant coated.

Inner Construction, Major Parts and Materials

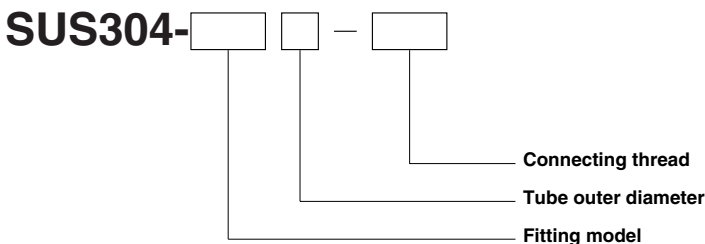
- To distinguish between the SUS304 fitting, the SUS303 fitting, and the standard specification fitting, see the table below.

ID section	SUS304 Fitting	SUS303 Fitting	Standard specification Fitting
Guide ring V groove	●	—	●
Flats on corners of hexagonal body section	●	—	—
Color of release ring	Dark blue	Dark blue	Black

Note: ● means available.



Order Codes



* For the fitting models, the tube size, and thread combinations, see p. 291~292.

● SUS304-TS Straight 293



Tube size	Thread size					
	M5×0.8	M6×1	R1/8	R1/4	R3/8	R1/2
4	M5	M6	01	02	—	—
6	M5	M6	01	02	03	—
8	—	—	01	02	03	—
10	—	—	01	02	03	04
12	—	—	—	02	03	04
16	—	—	—	—	03	04

● SUS304-US Union straight 293



Tube size
4
6
8
10
12
16

● SUS304-USD Different diameter union 293



Tube size
6-4
8-6
10-8
12-10
16-12

● SUS304-TL Elbow 294



Tube size	Thread size					
	M5×0.8	M6×1	R1/8	R1/4	R3/8	R1/2
4	M5	M6	01	02	—	—
6	M5	M6	01	02	03	—
8	—	—	01	02	03	—
10	—	—	01	02	03	04
12	—	—	—	02	03	04
16	—	—	—	—	03	04

● SUS304-UL Union elbow 294



Tube size
4
6
8
10
12
16

● SUS304-TT Tee 295



Tube size	Thread size					
	M5×0.8	M6×1	R1/8	R1/4	R3/8	R1/2
4	M5	M6	01	02	—	—
6	M5	M6	01	02	03	—
8	—	—	01	02	03	—
10	—	—	01	02	03	04
12	—	—	—	02	03	04
16	—	—	—	—	03	04

● SUS304-TB Branch tee 296



Tube size	Thread size					
	M5×0.8	M6×1	R1/8	R1/4	R3/8	R1/2
4	M5	M6	01	02	—	—
6	M5	M6	01	02	03	—
8	—	—	01	02	03	—
10	—	—	01	02	03	04
12	—	—	—	02	03	04
16	—	—	—	—	03	04

● SUS304-UT Union tee 296



Tube size
4
6
8
10
12
16

● SUS304-UTD Different diameter union tee 297



Tube size
6-4
8-6
10-8
12-10

● SUS304-TBY Branch Y 297



Tube size	Thread size					
	M5×0.8	M6×1	R1/8	R1/4	R3/8	R1/2
4	M5	M6	01	02	—	—
6	M5	M6	01	02	03	—
8	—	—	01	02	03	—
10	—	—	01	02	03	04
12	—	—	—	02	03	04

● **SUS304-TBLY** Branch elbow Y 298



Tube size	Thread size					
	M5×0.8	M6×1	R1/8	R1/4	R3/8	R1/2
4	M5	M6	01	02	—	—
6	M5	M6	01	02	03	—
8	—	—	01	02	03	—
10	—	—	01	02	03	04
12	—	—	—	02	03	04

● **SUS304-UY**

Union Y 298



Tube size
4
6
8
10
12

● **SUS304-UYD**

Different diameter union Y 298



Tube size
6-4
8-6
10-8
12-10

● **SUS304-ULY**

Union elbow Y 299



Tube size
4
6
8
10
12

● **SUS304-UZ**

Tetra union 299



Tube size
4
6
8
10
12

● **SUS304-TBZ**

Branch tetra 300



Tube size	Thread size					
	M5×0.8	M6×1	R1/8	R1/4	R3/8	R1/2
4	M5	M6	01	02	—	—
6	M5	M6	01	02	03	—
8	—	—	01	02	03	—
10	—	—	01	02	03	04
12	—	—	—	02	03	04

● **SUS304-UWD**

Different diameter double Y 300



Tube size
6-4
8-6

● **SUS304-TBW**

Branch double Y 300



Tube size	Thread size	
	R1/8	R1/4
4	01	02
6	01	—

● **SUS304-UED**

Different diameter triple 301



Tube size
6-4
8-4
8-6
10-6
10-8

● **SUS304-TBE** Branch triple 301



Tube size	Thread size		
	R1/8	R1/4	R3/8
6-4	01	—	—
8-4	—	02	—
8-6	—	02	—
10-8	—	—	03

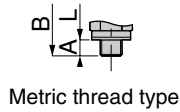
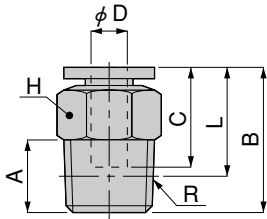
● **SUS304-UC** Cap 301



Tube size
4
6
8
10
12

Dimensions (mm)

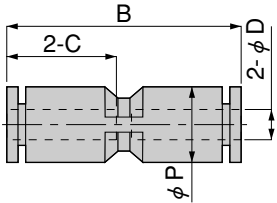
SUS304 straight SUS304-TS



Model	Tube outer diameter ϕD	R	A	B	L ^{Note}	C	Width across flats H	Effective area (mm ²)	Mass (g) [oz.]	
SUS304-TS4-M5	4	M5×0.8	2.9	20.1	17.2	15	10	1.9	5.9 [0.208]	
SUS304-TS4-M6		M6×1	3.9	21.1				17.1	6.2	6.2 [0.219]
SUS304-TS4-01		R1/8	8		5.3		7.8 [0.275]			
SUS304-TS4-02		R1/4	11	15.1	14		15 [0.53]			
SUS304-TS6-M5	6	M5×0.8	2.9	22.2	19.3	17.1	12	1.9	8.5 [0.300]	
SUS304-TS6-M6		M6×1	3.9	23.2				18.7	12.5	6.2
SUS304-TS6-01		R1/8	8	22.7	8.7 [0.307]					
SUS304-TS6-02		R1/4	11	24.7	17		17 [0.60]			
SUS304-TS6-03	R3/8	12	23.7	17.4	17	26 [0.92]				
SUS304-TS8-01	8	R1/8	8	27.9	23.9	18.2	14	20	15 [0.53]	
SUS304-TS8-02		R1/4	11	26.6					20.6	
SUS304-TS8-03		R3/8	12	23.9					17.6	22 [0.78]
SUS304-TS10-01	10	R1/8	8	30.5	26.5	20.9	17	35	22.9	
SUS304-TS10-02		R1/4	11	30					24	20 [0.71]
SUS304-TS10-03		R3/8	12	29.5					23.2	25 [0.88]
SUS304-TS10-04		R1/2	15	30.5					22.3	21
SUS304-TS12-02	12	R1/4	11	36.1	30.1	23.5	21	59	35	
SUS304-TS12-03		R3/8	12	32.1					25.8	41 [1.45]
SUS304-TS12-04		R1/2	15	34.1					25.9	47 [1.66]
SUS304-TS16-03	16	R3/8	12	39.5	33.2	25	24	114	83.3	
SUS304-TS16-04		R1/2	15	41.5					33.3	56 [1.98]
									63 [2.22]	

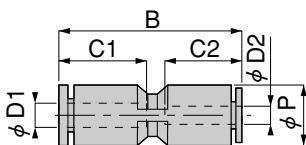
Note: The L dimensions for the tapered thread type are the reference dimensions after the fittings are assembled.

SUS304 union straight SUS304-US



Model	Tube outer diameter ϕD	B	ϕP	C	Effective area (mm ²)	Mass (g) [oz.]
SUS304-US4	4	31	10	15	5.3	4.7 [0.166]
SUS304-US6	6	35.2	12.5	17.1	12.5	6.4 [0.226]
SUS304-US8	8	37.8	14.5	18.4	20	9.1 [0.321]
SUS304-US10	10	43.8	17.5	21.4	35	15 [0.53]
SUS304-US12	12	48.2	21	23.6	59	22 [0.78]
SUS304-US16	16	49.8	25	24.3	147.6	25 [0.88]

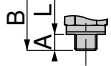
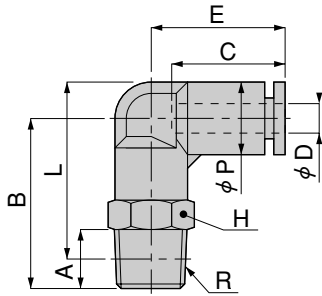
SUS304 different diameter union SUS304-USD



Model	Tube outer diameter $\phi D1$	Tube outer diameter $\phi D2$	B	ϕP	C1	C2	Effective area (mm ²)	Mass (g) [oz.]
SUS304-USD6-4	6	4	34.6	12.5	17.1	15	5.3	6.2 [0.219]
SUS304-USD8-6	8	6	38	14.5	18.4	17.1	12.5	8.6 [0.303]
SUS304-USD10-8	10	8	43.3	17.5	21.4	18.4	20	14 [0.49]
SUS304-USD12-10	12	10	48	21	23.6	21.4	35	21 [0.74]
SUS304-USD16-12	16	12	49.9	25	24.3	23.6	88.6	27 [0.95]

Dimensions (mm)

SUS304 elbow SUS304-TL

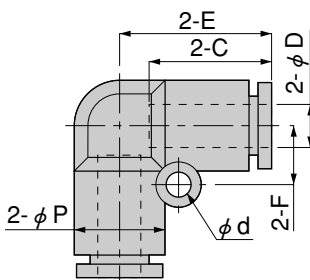


Metric thread type

Model	Tube outer diameter ϕ D	R	A	B	L ^{Note}	ϕ P	C	E	Width across flats H	Effective area (mm ²)	Mass (g) [oz.]	
SUS304-TL4-M5	4	M5×0.8	2.9	20.3	22.4	10	15	18.1	10	1.5	7.7 [0.272]	
SUS304-TL4-M6		M6×1	3.9	21.3						8 [0.282]		
SUS304-TL4-01		R1/8	8	23.3						24.3	4.2	11 [0.39]
SUS304-TL4-02		R1/4	11	26.3	25.3				14	19 [0.67]		
SUS304-TL6-M5	6	M5×0.8	2.9	22	25.4	12.5	16.9	19.9	12	1.5	12 [0.42]	
SUS304-TL6-M6		M6×1	3.9	23						6.1		
SUS304-TL6-01		R1/8	8	25						27.3	14	14 [0.49]
SUS304-TL6-02		R1/4	11	28					28.2	10	21 [0.74]	
SUS304-TL6-03		R3/8	12	29.8	29.7				17	33 [1.16]		
SUS304-TL8-01	8	R1/8	8	28	31.3	14.5	18.2	22.7	14	16.5	17 [0.60]	
SUS304-TL8-02		R1/4	11	31							32.2	23 [0.81]
SUS304-TL8-03		R3/8	12	32.8					33.7		17	35 [1.23]
SUS304-TL10-01	10	R1/8	8	33	37.8	17.5	20.4	26.4	17	22.4	30 [1.06]	
SUS304-TL10-02		R1/4	11	36							38.7	32 [1.13]
SUS304-TL10-03		R3/8	12	37					39.4		30	40 [1.41]
SUS304-TL10-04		R1/2	15	40					40.6		21	60 [2.12]
SUS304-TL12-02	12	R1/4	11	38	42.5	21	23.6	29.6	21	30	48 [1.69]	
SUS304-TL12-03		R3/8	12	39							43.2	47
SUS304-TL12-04		R1/2	15	42					44.3		63 [2.22]	
SUS304-TL16-03	16	R3/8	11	47	53.2	25	24.3	33.3	22	80.2	77 [2.72]	
SUS304-TL16-04		R1/2	15	51						55.3	93.3	81 [2.86]

Note: The L dimensions for the tapered thread type are the reference dimensions after the fittings are assembled.

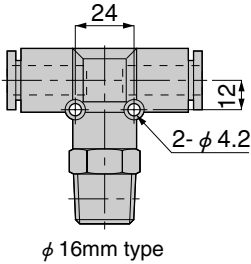
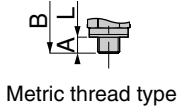
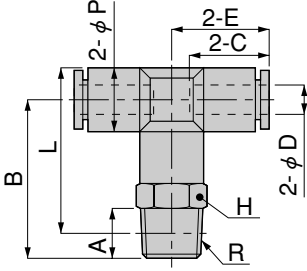
SUS304 union elbow SUS304-UL



Model	Tube outer diameter ϕ D	ϕ P	C	E	ϕ d	F	Effective area (mm ²)	Mass (g) [oz.]
SUS304-UL4	4	10	15	17	3.2	6.5	4.2	5.1 [0.180]
SUS304-UL6	6	12.5	17	20.2	3.2	8	10	7.2 [0.254]
SUS304-UL8	8	15	18.4	22.4	4.2	10	16.5	11 [0.39]
SUS304-UL10	10	17.5	20.9	26.4	4.2	12	30	17 [0.60]
SUS304-UL12	12	21	23.6	29.6	4.2	14	47	25 [0.88]
SUS304-UL16	16	25	24.3	33.3	4.2	12	91.6	30 [1.06]

Dimensions (mm)

SUS304 tee SUS304-TT

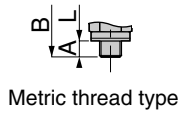
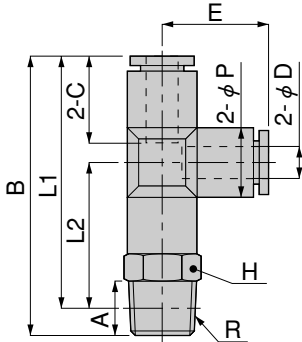


Model	Tube outer diameter φ D	R	A	B	L ^{Note}	φ P	C	E	Width across flats H	Effective area (mm ²)	Mass (g) [oz.]
SUS304-TT4-M5	4	M5×0.8	2.9	20.3	22.4	10	15	17	10	1.5	10 [0.35]
SUS304-TT4-M6		M6×1	3.9	21.3						6.8	11 [0.39]
SUS304-TT4-01		R1/8	8	23.3	24.3				4.1	13 [0.46]	
SUS304-TT4-02		R1/4	11	26.3	25.3				22 [0.78]		
SUS304-TT6-M5	6	M5×0.8	2.9	23	26.6	13	17.1	20.3	12	1.5	16 [0.56]
SUS304-TT6-M6		M6×1	3.9	24						6.8	
SUS304-TT6-01		R1/8	8	26	28.5				10	24 [0.85]	
SUS304-TT6-02		R1/4	11	29	29.5				14	36 [1.27]	
SUS304-TT6-03	R3/8	12	30.8	31	17	30	36 [1.27]				
SUS304-TT8-01	8	R1/8	8	26.3	29.8	15	18.4	22.4	14	16.5	22 [0.78]
SUS304-TT8-02		R1/4	11	29.3						30.8	27 [0.95]
SUS304-TT8-03		R3/8	12	31.1					32.3	40 [1.41]	
SUS304-TT10-01	10	R1/8	8	33	37.8	17.5	20.4	25.4	17	30	37 [1.31]
SUS304-TT10-02		R1/4	11	36						38.7	40 [1.41]
SUS304-TT10-03		R3/8	12	37					39.4	48 [1.69]	
SUS304-TT10-04		R1/2	15	40					40.6	68 [2.40]	
SUS304-TT12-02	12	R1/4	11	38	42.5	21	23.1	28.6	21	30	59 [2.08]
SUS304-TT12-03		R3/8	12	39						43.2	60 [2.12]
SUS304-TT12-04		R1/2	15	42					44.3	74 [2.61]	
SUS304-TT16-03	16	R3/8	11	47	53.2	25	24.3	33.3	22	80.1	90 [3.17]
SUS304-TT16-04		R1/2	15	51						55.3	90.8

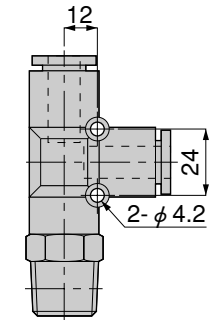
Note: The L dimensions for the tapered thread type are the reference dimensions after the fittings are assembled.

Dimensions (mm)

SUS304 branch tee SUS304-TB



Metric thread type



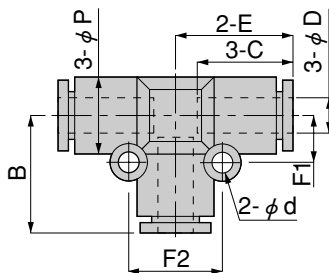
φ 16mm type

Model	Tube outer diameter φ D	R	A	B	Note L1	φ P	C	Note L2	E	Width across flats H	Effective area (mm ²)	Mass (g) [oz.]		
SUS304-TB4-M5	4	M5X0.8	2.9	37.3	34.4	10	15	17.4	17	10	1.9	10 [0.35]		
SUS304-TB4-M6		M6X1	3.9	38.3							11 [0.39]			
SUS304-TB4-01		R1/8	8	40.3							36.3	5.3	13 [0.46]	
SUS304-TB4-02		R1/4	11	43.3							37.3	20.3	22 [0.78]	
SUS304-TB6-M5	6	M5X0.8	2.9	43.3	40.4	13	17.1	20.1	20.3	12	1.9	15 [0.53]		
SUS304-TB6-M6		M6X1	3.9	44.3							6.4			
SUS304-TB6-01		R1/8	8	46.3							42.3	17 [0.60]		
SUS304-TB6-02		R1/4	11	49.3							43.3	23	12.5	25 [0.88]
SUS304-TB6-03	R3/8	12	51.1	44.8	24.5	17	37 [1.31]							
SUS304-TB8-01	8	R1/8	8	50.4	46.4	15	18.1	24.2	22.2	14	20	22 [0.78]		
SUS304-TB8-02		R1/4	11	53.4								47.4	25.2	28 [0.99]
SUS304-TB8-03		R3/8	12	55.2								48.9	26.7	17
SUS304-TB10-01	10	R1/8	8	58.4	54.4	17.5	20.4	29	25.4	17	35	37 [1.31]		
SUS304-TB10-02		R1/4	11	61.4								55.4	30	40 [1.41]
SUS304-TB10-03		R3/8	12	62.4								56.1	30.7	47 [1.66]
SUS304-TB10-04		R1/2	15	65.4								57.2	31.8	21
SUS304-TB12-02	12	R1/4	11	66.8	60.8	21	23.1	32.2	28.4	21	35	59 [2.08]		
SUS304-TB12-03		R3/8	12	67.8								61.5	32.9	59
SUS304-TB12-04		R1/2	15	70.8								62.6	34	74 [2.61]
SUS304-TB16-03	16	R3/8	11	80.3	74	25	24.3	40.7	33.3	22	79.5	90 [3.17]		
SUS304-TB16-04		R1/2	15	84.3								76.1	42.8	92.8

Note: The L1 and L2 dimensions for the tapered thread type are the reference dimensions after the fittings are assembled.

QUICK FITTINGS STANDARD TYPE

SUS304 union tee SUS304-UT



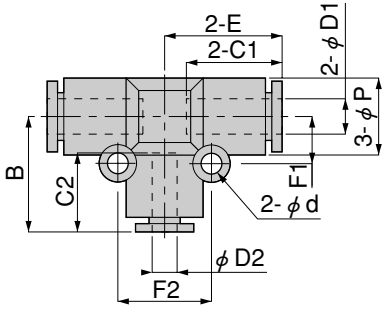
Model	Tube outer diameter φ D	φ P	C	E	φ d	F1	F2	B	Effective area (mm ²)	Mass (g) [oz.]
SUS304-UT4	4	10	15	17	3.2	6.5	13	17	5.3	7.4 [0.261]
SUS304-UT6	6	13	17.1	20.2	3.5	8	16	20.2	12.5	11 [0.39]
SUS304-UT8	8	15	18.2	22.2	3.5	9	18	22.2	20	15 [0.53]
SUS304-UT10	10	17.5	20.4	25.4	4.2	12	24	25.4	35	25 [0.88]
SUS304-UT12	12	21	23.1	28.6	4.2	14	28	28.4	59	36 [1.27]
SUS304-UT16	16	25	24.3	33.3	4.2	12	24	33.3	89.8	43 [1.52]

Dimensions (mm)

SUS304 different diameter union tee SUS304-UTD



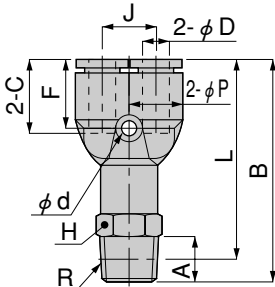
Model	Tube outer diameter ϕ D1	Tube outer diameter ϕ D2	ϕ P	C1	C2	E	ϕ d	F1	F2	B	Effective area (mm ²)	Mass (g) [oz.]
SUS304-UTD6-4	6	4	13	17.1	15	20.2	3.5	8	16	19.6	4.1	11 [0.39]
SUS304-UTD8-6	8	6	15	18.2	17	22.2	3.5	9	18	22.4	10.3	15 [0.53]
SUS304-UTD10-8	10	8	17.5	20.4	18.1	25.4	4.2	12	24	24.9	19.6	23 [0.81]
SUS304-UTD12-10	12	10	21	23.1	20.9	28.6	4.2	14	28	28.2	32.5	35 [1.23]



SUS304 branch Y SUS304-TBY



Model	Tube outer diameter ϕ D	R	A	B	Note L	ϕ P	C	J	ϕ d	F	Width across flats H	Effective area (mm ²)	Mass (g) [oz.]		
SUS304-TBY4-M5	4	M5X0.8	2.9	37.7	34.8	10	15	11	3.4	14.2	10	1.5	11 [0.39]		
SUS304-TBY4-M6		M6X1	3.9	38.7											
SUS304-TBY4-01		R1/8	8	40.7								36.7	4.2	14	22 [0.78]
SUS304-TBY4-02		R1/4	11	43.7											
SUS304-TBY6-M5	6	M5X0.8	2.9	41.5	38.6	12.5	17.1	12	3.2	15.9	12	1.5	16 [0.56]		
SUS304-TBY6-M6		M6X1	3.9	42.5											
SUS304-TBY6-01		R1/8	8	44.5								40.5	10	17	25 [0.88]
SUS304-TBY6-02		R1/4	11	47.5											
SUS304-TBY6-03	R3/8	12	49.3	43	17	37 [1.31]									
SUS304-TBY8-01	8	R1/8	8	48.7	44.7	14.5	18.1	14	3.2	17.2	14	16.5	23 [0.81]		
SUS304-TBY8-02		R1/4	11	51.7										45.7	28 [0.99]
SUS304-TBY8-03		R3/8	12	53.5								47.2	17		
SUS304-TBY10-01	10	R1/8	8	55.5	51.5	18	20.9	18	4.5	19.7	17	30	39 [1.38]		
SUS304-TBY10-02		R1/4	11	58.5										52.5	42 [1.48]
SUS304-TBY10-03		R3/8	12	59.5								53.2	49 [1.73]		
SUS304-TBY10-04		R1/2	15	62.5										54.3	21
SUS304-TBY12-02	12	R1/4	11	63.7	57.7	21	23.6	20	4.2	22.4	21	37	61 [2.15]		
SUS304-TBY12-03		R3/8	12	64.7										58.4	62 [2.19]
SUS304-TBY12-04		R1/2	15	67.7								59.5	77 [2.72]		

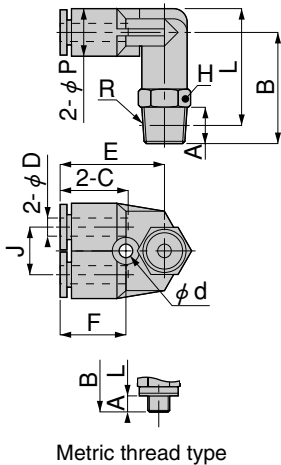


Metric thread type

Note: The L dimensions for the tapered thread type are the reference dimensions after the fittings are assembled.

Dimensions (mm)

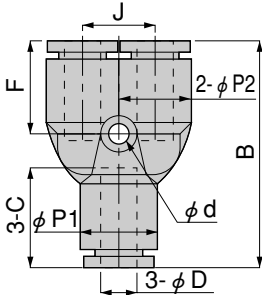
SUS304 branch elbow Y SUS304-TBLY



Model	Tube outer diameter ϕD	R	A	B	L ^{Note}	ϕP	C	J	E	Width across flats H	ϕd	F	Effective area (mm ²)	Mass (g) [oz.]		
SUS304-TBLY4-M5	4	M5×0.8	2.9	21.7	23.8	10	15	11	22.8	10	3.2	14.3	2.2	11 [0.39]		
SUS304-TBLY4-M6		M6×1	3.9	22.7									2.5	12 [0.42]		
SUS304-TBLY4-01		R1/8	8	24.7									2.7	14 [0.49]		
SUS304-TBLY4-02		R1/4	11	27.7									2.5	23 [0.81]		
SUS304-TBLY6-M5	6	M5×0.8	2.9	25	28.4	12.5	17.1	12	26.3	12	4.2	15.6	2.2	17 [0.60]		
SUS304-TBLY6-M6		M6×1	3.9	26									6.4			
SUS304-TBLY6-01		R1/8	8	28									30.3		6.9	19 [0.67]
SUS304-TBLY6-02		R1/4	11	31									31.2		6.6	26 [0.92]
SUS304-TBLY6-03		R3/8	12	32.8									32.7		6.8	38 [1.34]
SUS304-TBLY8-01		R1/8	8	31									34.3		14.6	24 [0.85]
SUS304-TBLY8-02	R1/4	11	34	35.2	14.5	29 [1.02]										
SUS304-TBLY8-03	R3/8	12	35.8	36.7	15	42 [1.48]										
SUS304-TBLY10-01	10	R1/8	8	34	38.8	17.5	20.4	18	33.7	17	4.2	18.7	15	41 [1.45]		
SUS304-TBLY10-02		R1/4	11	37	39.7								26.1	44 [1.55]		
SUS304-TBLY10-03		R3/8	12	38	40.4								27.2	51 [1.80]		
SUS304-TBLY10-04		R1/2	15	41	41.6								29.9	71 [2.50]		
SUS304-TBLY12-02	12	R1/4	11	41.2	45.7	21	23.6	20	35.4	21	4.2	20.9	38.2	64 [2.26]		
SUS304-TBLY12-03		R3/8	12	42.2	46.4								43.1	65 [2.29]		
SUS304-TBLY12-04		R1/2	15	45.2	47.5								42.1	80 [2.82]		

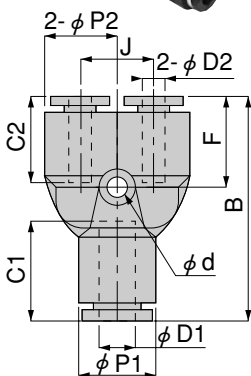
Note: The L dimensions for the tapered thread type are the reference dimensions after the fittings are assembled.

SUS304 union Y SUS304-UY



Model	Tube outer diameter ϕD	B	$\phi P1$	$\phi P2$	C	J	ϕd	F	Effective area (mm ²)	Mass (g) [oz.]
SUS304-UY4	4	33	10	10	15	11	3.4	14.2	4.2	7.6 [0.268]
SUS304-UY6	6	38	13	12.5	17.1	12	3.4	15.9	10	11 [0.39]
SUS304-UY8	8	42.4	15	14.5	18.1	14	3.2	17.2	16.5	15 [0.53]
SUS304-UY10	10	48.8	18	18	20.9	18	4.5	19.7	27	26 [0.92]
SUS304-UY12	12	55.2	21.5	21	23.6	20	4.2	22.4	38	37 [1.31]

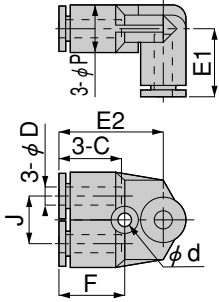
SUS304 different diameter union Y SUS304-UYD



Model	Tube outer diameter $\phi D1$	Tube outer diameter $\phi D2$	B	$\phi P1$	$\phi P2$	C1	C2	J	ϕd	F	Effective area (mm ²)	Mass (g) [oz.]
SUS304-UYD6-4	6	4	37.4	13	12.5	17.1	15	12	3.2	15.3	4.2	11 [0.39]
SUS304-UYD8-6	8	6	42.6	15	14.5	18.1	17.1	14	3.2	17.4	10	14 [0.49]
SUS304-UYD10-8	10	8	48.3	18	18	20.9	18.2	18	4.5	19.2	16.5	23 [0.81]
SUS304-UYD12-10	12	10	55	21.5	21	23.6	20.4	20	4.2	22.2	27	36 [1.27]

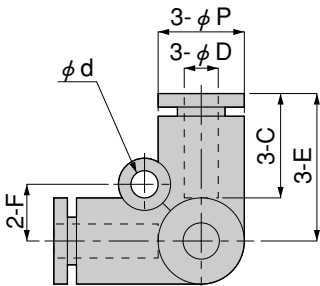
Dimensions (mm)

SUS304 union elbow Y SUS304-ULY



Model	Tube outer diameter ϕD	E1	ϕP	C	J	E2	ϕd	F	Effective area (mm ²)	Mass (g) [oz.]
SUS304-ULY4	4	17	10	15	11	22.8	3.2	14.3	2.5	8.1 [0.286]
SUS304-ULY6	6	19.9	12.5	17.1	12	26.3	4.2	15.6	7.2	12 [0.42]
SUS304-ULY8	8	22.7	14.5	18.1	14	29.4	4.2	16.9	16.3	17 [0.60]
SUS304-ULY10	10	25.2	17.5	20.4	18	33.7	4.2	18.7	27.9	27 [0.95]
SUS304-ULY12	12	29.6	21	23.6	20	35.4	4.2	20.9	40	39 [1.38]

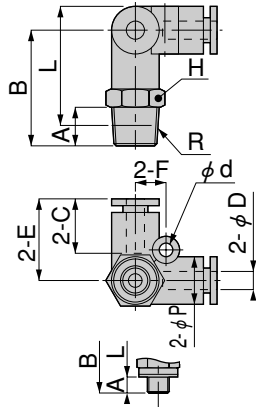
SUS304 tetra union SUS304-UZ



Model	Tube outer diameter ϕD	ϕP	C	E	ϕd	F	Effective area (mm ²)	Mass (g) [oz.]
SUS304-UZ4	4	10	15	17	3.2	6.5	3.7	7.3 [0.257]
SUS304-UZ6	6	12.5	17.1	20.2	4.2	8	8.3	11 [0.39]
SUS304-UZ8	8	14.5	18.1	22.1	4.2	10	16	15 [0.53]
SUS304-UZ10	10	17.5	20.4	26.4	4.2	12	30.2	25 [0.88]
SUS304-UZ12	12	21	23.6	29.6	4.2	14	40.2	36 [1.27]

Dimensions (mm)

SUS304 branch tetra SUS304-TBZ

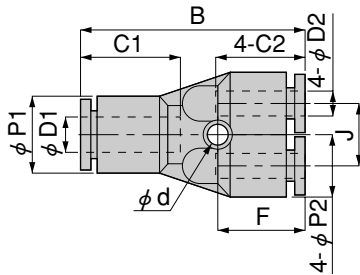


Metric thread type

Model	Tube outer diameter ϕD	R	A	B	L ^{Note}	ϕP	C	E	Width across flats H	ϕd	F	Effective area (mm ²)	Mass (g) [oz.]		
SUS304-TBZ4-M5	4	M5X0.8	2.9	21.7	23.8	10	15	17	10	3.2	6.5	2.3	11 [0.39]		
SUS304-TBZ4-M6		M6X1	3.9	22.7								3.6			
SUS304-TBZ4-01		R1/8	8	24.7								4		13 [0.46]	
SUS304-TBZ4-02		R1/4	11	27.7								3.5		22 [0.78]	
SUS304-TBZ6-M5	6	M5X0.8	2.9	25.3	28.7	12.5	17.1	20.2	12	4.2	8	2.3	16 [0.56]		
SUS304-TBZ6-M6		M6X1	3.9	26.3								5.9			
SUS304-TBZ6-01		R1/8	8	28.3								8.5		17 [0.60]	
SUS304-TBZ6-02		R1/4	11	31.3								8		25 [0.88]	
SUS304-TBZ6-03	R3/8	12	33.1	33	17	8.4	37 [1.31]								
SUS304-TBZ8-01	8	R1/8	8	30.4	33.7	14.5	18.1	22.1	14	4.2	10	17.1	23 [0.81]		
SUS304-TBZ8-02		R1/4	11	33.4								34.6		17.5	29 [1.02]
SUS304-TBZ8-03		R3/8	12	35.2								36.1		17.4	40 [1.41]
SUS304-TBZ10-01	10	R1/8	8	35.2	40	17.5	20.4	26.4	17	4.2	12	17.4	39 [1.38]		
SUS304-TBZ10-02		R1/4	11	38.2								40.9		31.5	41 [1.45]
SUS304-TBZ10-03		R3/8	12	39.2								41.6		28.1	49 [1.73]
SUS304-TBZ10-04		R1/2	15	42.2								42.8		24.3	69 [2.43]
SUS304-TBZ12-02	12	R1/4	11	41.2	45.7	21	23.6	29.6	21	4.2	14	40.9	62 [2.19]		
SUS304-TBZ12-03		R3/8	12	42.2								46.4		45	
SUS304-TBZ12-04		R1/2	15	45.2								47.5		44.8	77 [2.72]

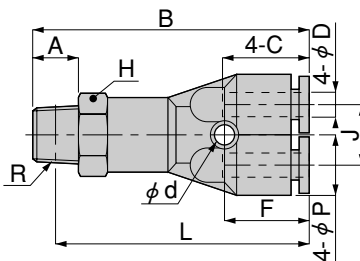
Note: The L dimensions for the tapered thread type are the reference dimensions after the fittings are assembled.

SUS304 different diameter double Y SUS304-UWD



Model	Tube outer diameter $\phi D1$	Tube outer diameter $\phi D2$	B	$\phi P1$	$\phi P2$	C1	C2	J	ϕd	F	Effective area (mm ²)	Mass (g) [oz.]
SUS304-UWD6-4	6	4	37.7	13	10.5	17.1	15	10	3.2	14.3	1.5	14 [0.49]
SUS304-UWD8-6	8	6	42.1	14	13	18.2	17.1	13	3.5	15.9	8.2	21 [0.74]

SUS304 branch double Y SUS304-TBW



Model	Tube outer diameter ϕD	R	A	B	L ^{Note}	ϕP	C	J	Width across flats H	ϕd	F	Effective area (mm ²)	Mass (g) [oz.]
SUS304-TBW4-01	4	R1/8	8	45.8	41.8	10.5	15	10	12	3.2	14.3	1.5	21 [0.74]
SUS304-TBW4-02		R1/4	11	48.8	42.8				14			1.4	
SUS304-TBW6-01	6	R1/8	8	50.4	46.4	13	17.1	13	14	3.5	15.9	9	28 [0.99]

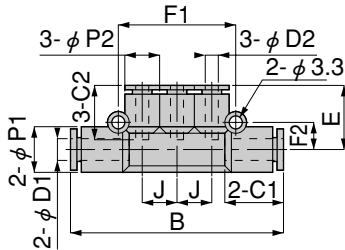
Note: The L dimensions for the tapered thread type are the reference dimensions after the fittings are assembled.

Dimensions (mm)

SUS304 different diameter triple SUS304-UED



Model	Tube outer diameter ϕ D1	Tube outer diameter ϕ D2	B	E	J	ϕ P1	ϕ P2	C1	C2	F1	F2	Effective area (mm ²)	Mass (g) [oz.]
SUS304-UED6-4	6	4	60.4	18.5	10	13	10	17.1	15	34	8	5	16 [0.56]
SUS304-UED8-4	8	4	62.4	19.3	10	15	10	18.1	15	34	9.2	6	19 [0.67]
SUS304-UED8-6		6	69.4	21.4	12		13		17.1	40.2	9	10.1	23 [0.81]
SUS304-UED10-6	10	6	80.4	23.9	14	17.5	15	20.9	17.1	46.2	10.5	11.2	31 [1.09]
SUS304-UED10-8		8		23.7					18.1			19.1	33 [1.16]

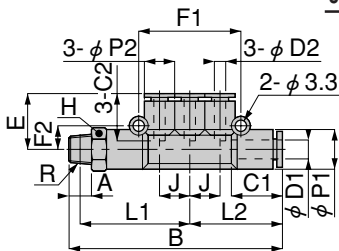


SUS304 branch triple SUS304-TBE

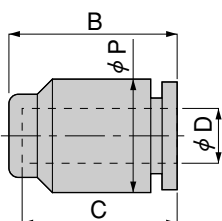


Model	Tube outer diameter ϕ D1	Tube outer diameter ϕ D2	R	A	B	E	L1	L2	J	ϕ P1	ϕ P2	C1	C2
SUS304-TBE6-4-01	6	4	R1/8	8	68.5	18.5	34.3	30.2	10	13	10	17.1	15
SUS304-TBE8-4-02	8	4	R1/4	11	73.7	19.3	36.5	31.2	10	15	10	18.1	15
SUS304-TBE8-6-02		6			80.7	21.4	40	34.7	12		13		17.1
SUS304-TBE10-8-03	10	8	R3/8	12	93.2	23.7	46.7	40.2	14	17.5	15	20.9	18.1

Model	F1	F2	Width across flats H	Effective area (mm ²)	Mass (g) [oz.]
SUS304-TBE6-4-01	34	8	12	5	23 [0.81]
SUS304-TBE8-4-02	34	9.2	14	5.2	32 [1.13]
SUS304-TBE8-6-02	40.2	9		9.6	35 [1.23]
SUS304-TBE10-8-03	46.2	10.5	17	19.1	57 [2.01]



SUS304 cap SUS304-UC



Model	Tube outer diameter ϕ D	B	ϕ P	C	Mass (g) [oz.]
SUS304-UC4	4	16.5	10	15	2.4 [0.085]
SUS304-UC6	6	18.6	12.5	17.1	3.2 [0.113]
SUS304-UC8	8	19.9	14.5	18.4	4.6 [0.162]
SUS304-UC10	10	22.5	17.5	20.9	7.6 [0.268]
SUS304-UC12	12	25.1	21	23.6	12 [0.42]

QUICK FITTINGS STANDARD TYPE

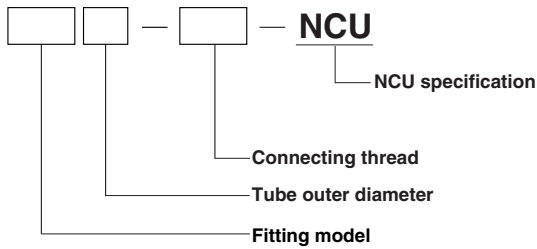
NCU Specification

- For specifications, see p.253.
- The dimensions for **NCU** specification shown below are the same as the standard type.
See the dimensions on p.259~277.

Caution: For delivery, consult us.

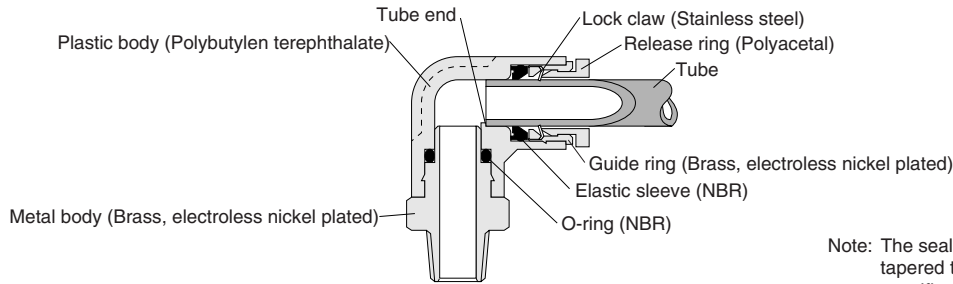
NCU Specification

● Order Codes



※ For the fitting models, the tube size, and thread combinations, see the table below. Columns showing the “←” symbol indicate that standard products can be used as the NCU specification. In these cases, place orders for the standard products.

● Inner Construction, Major Parts and Materials



Note: The sealant is not applied to the R tapered thread portion of the **NCU** specification fittings.

● Model Table

Fitting type	Tube outer diameter	Thread	Standard type model (reference)	NCU specification model
Straight TS	4	M5×0.8	TS4-M50	←
			TS4-M5	←
		M6×1	TS4-M6	←
		R1/8	TS4-01	TS4-01-NCU
		R1/4	TS4-02	TS4-02-NCU
	6	M5×0.8	TS6-M5	←
			M6×1	TS6-M6
		R1/8	TS6-01	TS6-01-NCU
		R1/4	TS6-02	TS6-02-NCU
		R3/8	TS6-03	TS6-03-NCU
	8	R1/8	TS8-01	TS8-01-NCU
		R1/4	TS8-02	TS8-02-NCU
		R3/8	TS8-03	TS8-03-NCU
	10	R1/8	TS10-01	TS10-01-NCU
			R1/4	TS10-02
		R3/8	TS10-03	TS10-03-NCU
R1/2		TS10-04	TS10-04-NCU	
12	R1/4	TS12-02	TS12-02-NCU	
	R3/8	TS12-03	TS12-03-NCU	
	R1/2	TS12-04	TS12-04-NCU	
16	R3/8	TS16-03	TS16-03-NCU	
	R1/2	TS16-04	TS16-04-NCU	
Straight with hexagon socket TSH	4	M5×0.8	TSH4-M5	←
		M6×1	TSH4-M6	←
		R1/8	TSH4-01	TSH4-01-NCU
	6	M5×0.8	TSH6-M5	←
		M6×1	TSH6-M6	←
		R1/8	TSH6-01	TSH6-01-NCU
		R1/4	TSH6-02	TSH6-02-NCU
	8	R1/8	TSH8-01	TSH8-01-NCU
		R1/4	TSH8-02	TSH8-02-NCU
		R3/8	TSH8-03	TSH8-03-NCU
	10	R1/4	TSH10-02	TSH10-02-NCU
		R3/8	TSH10-03	TSH10-03-NCU
		R1/2	TSH10-04	TSH10-04-NCU

Fitting type	Tube outer diameter	Thread	Standard type model (reference)	NCU specification model
Straight with hexagon socket TSH	12	R3/8	TSH12-03	TSH12-03-NCU
		R1/2	TSH12-04	TSH12-04-NCU
Female straight TSM	4	Rc1/8	TSM4-01	←
		Rc1/4	TSM4-02	←
	6	Rc1/8	TSM6-01	←
		Rc1/4	TSM6-02	←
	8	Rc1/8	TSM8-01	←
		Rc1/4	TSM8-02	←
		Rc3/8	TSM8-03	←
	10	Rc1/4	TSM10-02	←
		Rc3/8	TSM10-03	←
	12	Rc1/4	TSM12-02	←
Rc3/8		TSM12-03	←	
Union straight US	4	—	US4	←
	6	—	US6	←
	8	—	US8	←
	10	—	US10	←
	12	—	US12	←
	16	—	US16	←
Different diameter union USD	6-4	—	USD6-4	←
	8-6	—	USD8-6	←
	10-8	—	USD10-8	←
	12-10	—	USD12-10	←
Union for bulkhead UK	4	—	UK4	←
	6	—	UK6	←
	8	—	UK8	←
	10	—	UK10	←
	12	—	UK12	←
Female union for bulkhead UKM	4	Rc1/8	UKM4-01	←
		Rc1/8	UKM6-01	←
	6	Rc1/4	UKM6-02	←
		Rc1/8	UKM8-01	←
	8	Rc1/4	UKM8-02	←
		Rc3/8	UKM8-03	←

NCU Specification

Model Table

Fitting type	Tube outer diameter	Thread	Standard type model (reference)	NCU specification model
Female union for bulkhead UKM	10	Rc1/4	UKM10-02	←
		Rc3/8	UKM10-03	←
	12	Rc3/8	UKM12-03	←
		Rc1/2	UKM12-04	←
Union for bulkhead B UKB	4	—	UKB4	←
	6	—	UKB6	←
	8	—	UKB8	←
	10	—	UKB10	←
	12	—	UKB12	←
Reducer UR	4-6	—	UR6-4	←
	4-8	—	UR8-4	←
	6-8	—	UR8-6	←
	6-10	—	UR10-6	←
	6-12	—	UR12-6	←
	8-10	—	UR10-8	←
	8-12	—	UR12-8	←
	10-12	—	UR12-10	←
Elbow TL	4	M5×0.8	TL4-M5	←
		M6×1	TL4-M6	←
		R1/8	TL4-01	TL4-01-NCU
		R1/4	TL4-02	TL4-02-NCU
	6	M5×0.8	TL6-M5	←
		M6×1	TL6-M6	←
		R1/8	TL6-01	TL6-01-NCU
		R1/4	TL6-02	TL6-02-NCU
		R3/8	TL6-03	TL6-03-NCU
	8	R1/8	TL8-01	TL8-01-NCU
		R1/4	TL8-02	TL8-02-NCU
		R3/8	TL8-03	TL8-03-NCU
	10	R1/8	TL10-01	TL10-01-NCU
		R1/4	TL10-02	TL10-02-NCU
		R3/8	TL10-03	TL10-03-NCU
		R1/2	TL10-04	TL10-04-NCU
	12	R1/4	TL12-02	TL12-02-NCU
		R3/8	TL12-03	TL12-03-NCU
	16	R1/2	TL12-04	TL12-04-NCU
		R3/8	TL16-03	TL16-03-NCU
16	R1/2	TL16-04	TL16-04-NCU	
	Long elbow TLL	4	M5×0.8	TLL4-M5
R1/8			TLL4-01	TLL4-01-NCU
6		R1/8	TLL6-01	TLL6-01-NCU
		R1/4	TLL6-02	TLL6-02-NCU
		R3/8	TLL6-03	TLL6-03-NCU
8		R1/8	TLL8-01	TLL8-01-NCU
		R1/4	TLL8-02	TLL8-02-NCU
		R3/8	TLL8-03	TLL8-03-NCU
10		R1/4	TLL10-02	TLL10-02-NCU
		R3/8	TLL10-03	TLL10-03-NCU
		R1/2	TLL10-04	TLL10-04-NCU
		R1/4	TLL12-02	TLL12-02-NCU
12	R3/8	TLL12-03	TLL12-03-NCU	
	R1/2	TLL12-04	TLL12-04-NCU	
	Swing elbow SL	4	M5×0.8	SL4-M5
M6×1			SL4-M6	←
R1/8			SL4-01	SL4-01-NCU
6		M5×0.8	SL6-M5	←
		M6×1	SL6-M6	←
		R1/8	SL6-01	SL6-01-NCU
8	R1/8	SL8-01	SL8-01-NCU	
	R1/4	SL8-02	SL8-02-NCU	
	R3/8	SL8-03	SL8-03-NCU	

Fitting type	Tube outer diameter	Thread	Standard type model (reference)	NCU specification model
Swing elbow SL	10	R1/4	SL10-02	SL10-02-NCU
		R3/8	SL10-03	SL10-03-NCU
	12	R3/8	SL12-03	SL12-03-NCU
		R1/2	SL12-04	SL12-04-NCU
	16	R3/8	SL16-03	SL16-03-NCU
		R1/2	SL16-04	SL16-04-NCU
Hexagon socket head swing elbow SLH	4	M5×0.8	SLH4-M5	←
	6	R1/8	SLH6-01	SLH6-01-NCU
		R1/4	SLH6-02	SLH6-02-NCU
	8	R1/8	SLH8-01	SLH8-01-NCU
		R1/4	SLH8-02	SLH8-02-NCU
		R3/8	SLH8-03	SLH8-03-NCU
	10	R1/4	SLH10-02	SLH10-02-NCU
		R3/8	SLH10-03	SLH10-03-NCU
	12	R3/8	SLH12-03	SLH12-03-NCU
		R1/2	SLH12-04	SLH12-04-NCU
Female swing elbow SLM	4	M5×0.8	SLM4-M5	←
		R1/8,Rc1/8	SLM4-01	SLM4-01-NCU
	6	M5×0.8	SLM6-M5	←
		R1/8,Rc1/8	SLM6-01	SLM6-01-NCU
		R1/4,Rc1/4	SLM6-02	SLM6-02-NCU
	8	R1/8,Rc1/8	SLM8-01	SLM8-01-NCU
		R1/4,Rc1/4	SLM8-02	SLM8-02-NCU
		R3/8,Rc3/8	SLM8-03	SLM8-03-NCU
	10	R1/4,Rc1/4	SLM10-02	SLM10-02-NCU
		R3/8,Rc3/8	SLM10-03	SLM10-03-NCU
	12	R3/8,Rc3/8	SLM12-03	SLM12-03-NCU
		R1/2,Rc1/2	SLM12-04	SLM12-04-NCU
Union elbow UL	4	—	UL4	←
	6	—	UL6	←
	8	—	UL8	←
	10	—	UL10	←
	12	—	UL12	←
	16	—	UL16	←
Union elbow for bulkhead UKBL	4	—	UKBL4	←
	6	—	UKBL6	←
	8	—	UKBL8	←
	10	—	UKBL10	←
	12	—	UKBL12	←
Socket elbow ULA	4	—	ULA4	←
	6	—	ULA6	←
	8	—	ULA8	←
	10	—	ULA10	←
	12	—	ULA12	←
Long socket elbow ULAL	4	—	ULAL4	←
	6	—	ULAL6	←
	8	—	ULAL8	←
	10	—	ULAL10	←
Different diameter socket elbow ULAD	4-6	—	ULAD6-4	←
	6-8	—	ULAD8-6	←
	8-10	—	ULAD10-8	←
	10-12	—	ULAD12-10	←
Tee TT	4	M5×0.8	TT4-M5	←
		M6×1	TT4-M6	←
		R1/8	TT4-01	TT4-01-NCU
		R1/4	TT4-02	TT4-02-NCU

Model Table

Fitting type	Tube outer diameter	Thread	Standard type model (reference)	NCU specification model
Tee TT	6	M5×0.8	TT6-M5	←
		M6×1	TT6-M6	←
		R1/8	TT6-01	TT6-01-NCU
		R1/4	TT6-02	TT6-02-NCU
		R3/8	TT6-03	TT6-03-NCU
	8	R1/8	TT8-01	TT8-01-NCU
		R1/4	TT8-02	TT8-02-NCU
		R3/8	TT8-03	TT8-03-NCU
	10	R1/4	TT10-02	TT10-02-NCU
		R3/8	TT10-03	TT10-03-NCU
		R1/2	TT10-04	TT10-04-NCU
	12	R1/4	TT12-02	TT12-02-NCU
		R3/8	TT12-03	TT12-03-NCU
		R1/2	TT12-04	TT12-04-NCU
	16	R3/8	TT16-03	TT16-03-NCU
		R1/2	TT16-04	TT16-04-NCU
Branch tee TB	4	M5×0.8	TB4-M5	←
		M6×1	TB4-M6	←
		R1/8	TB4-01	TB4-01-NCU
		R1/4	TB4-02	TB4-02-NCU
	6	M5×0.8	TB6-M5	←
		M6×1	TB6-M6	←
		R1/8	TB6-01	TB6-01-NCU
		R1/4	TB6-02	TB6-02-NCU
		R3/8	TB6-03	TB6-03-NCU
	8	R1/8	TB8-01	TB8-01-NCU
		R1/4	TB8-02	TB8-02-NCU
		R3/8	TB8-03	TB8-03-NCU
	10	R1/4	TB10-02	TB10-02-NCU
		R3/8	TB10-03	TB10-03-NCU
		R1/2	TB10-04	TB10-04-NCU
	12	R1/4	TB12-02	TB12-02-NCU
		R3/8	TB12-03	TB12-03-NCU
		R1/2	TB12-04	TB12-04-NCU
	16	R3/8	TB16-03	TB16-03-NCU
R1/2		TB16-04	TB16-04-NCU	
Union tee UT	4	——	UT4	←
	6	——	UT6	←
	8	——	UT8	←
	10	——	UT10	←
	12	——	UT12	←
	16	——	UT16	←
Different diameter union tee UTD	6-4	——	UTD6-4	←
	8-6	——	UTD8-6	←
	10-8	——	UTD10-8	←
	12-10	——	UTD12-10	←
Branch Y TBY	4	M5×0.8	TBY4-M5	←
		R1/8	TBY4-01	TBY4-01-NCU
		R1/4	TBY4-02	TBY4-02-NCU
	6	M5×0.8	TBY6-M5	←
		M6×1	TBY6-M6	←
		R1/8	TBY6-01	TBY6-01-NCU
		R1/4	TBY6-02	TBY6-02-NCU
	8	R3/8	TBY6-03	TBY6-03-NCU
		R1/8	TBY8-01	TBY8-01-NCU
		R1/4	TBY8-02	TBY8-02-NCU
	10	R3/8	TBY8-03	TBY8-03-NCU
		R1/4	TBY10-02	TBY10-02-NCU
		R1/2	TBY10-04	TBY10-04-NCU

Fitting type	Tube outer diameter	Thread	Standard type model (reference)	NCU specification model
Branch Y TBY	12	R1/4	TBY12-02	TBY12-02-NCU
		R3/8	TBY12-03	TBY12-03-NCU
		R1/2	TBY12-04	TBY12-04-NCU
Branch elbow Y TBLY	4	M5×0.8	TBLY4-M5	←
		M6×1	TBLY4-M6	←
		R1/8	TBLY4-01	TBLY4-01-NCU
	6	R1/4	TBLY4-02	TBLY4-02-NCU
		M5×0.8	TBLY6-M5	←
		M6×1	TBLY6-M6	←
		R1/8	TBLY6-01	TBLY6-01-NCU
	8	R1/4	TBLY6-02	TBLY6-02-NCU
		R3/8	TBLY6-03	TBLY6-03-NCU
		R1/8	TBLY8-01	TBLY8-01-NCU
		R1/4	TBLY8-02	TBLY8-02-NCU
		R3/8	TBLY8-03	TBLY8-03-NCU
10	R1/4	TBLY10-02	TBLY10-02-NCU	
	R3/8	TBLY10-03	TBLY10-03-NCU	
	R1/2	TBLY10-04	TBLY10-04-NCU	
12	R1/4	TBLY12-02	TBLY12-02-NCU	
	R3/8	TBLY12-03	TBLY12-03-NCU	
Swing elbow Y SLY	4	M5×0.8	SLY4-M5	←
	6	R1/8	SLY6-01	SLY6-01-NCU
	8	R1/4	SLY8-02	SLY8-02-NCU
	10	R3/8	SLY10-03	SLY10-03-NCU
	12	R1/2	SLY12-04	SLY12-04-NCU
Female swing elbow Y SLYM	4	M5×0.8	SLYM4-M5	←
	6	R1/8,Rc1/8	SLYM6-01	SLYM6-01-NCU
	8	R1/4,Rc1/4	SLYM8-02	SLYM8-02-NCU
	10	R3/8,Rc3/8	SLYM10-03	SLYM10-03-NCU
Union Y UY	4	——	UY4	←
	6	——	UY6	←
	8	——	UY8	←
	10	——	UY10	←
	12	——	UY12	←
Different diameter union Y UYD	6-4	——	UYD6-4	←
	8-6	——	UYD8-6	←
	10-8	——	UYD10-8	←
	12-10	——	UYD12-10	←
Union elbow Y ULY	4	——	ULY4	←
	6	——	ULY6	←
	8	——	ULY8	←
	10	——	ULY10	←
Branch union Y UB	4	——	UB4	←
	6	——	UB6	←
	8	——	UB8	←
	10	——	UB10	←
Different diameter branch union Y UBD	4	——	UBD4	←
	6	——	UBD6	←
	8	——	UBD8	←
	10	——	UBD10	←
Tetra union UZ	4	——	UZ4	←
	6	——	UZ6	←
	8	——	UZ8	←
	10	——	UZ10	←
12	——	UZ12	←	

NCU Specification

Model Table

Fitting type	Tube outer diameter	Thread	Standard type model (reference)	NCU specification model
Branch tetra TBZ	4	M5×0.8	TBZ4-M5	←
		M6×1	TBZ4-M6	←
		R1/8	TBZ4-01	TBZ4-01-NCU
		R1/4	TBZ4-02	TBZ4-02-NCU
	6	M5×0.8	TBZ6-M5	←
		M6×1	TBZ6-M6	←
		R1/8	TBZ6-01	TBZ6-01-NCU
		R1/4	TBZ6-02	TBZ6-02-NCU
	8	R3/8	TBZ6-03	TBZ6-03-NCU
		R1/8	TBZ8-01	TBZ8-01-NCU
		R1/4	TBZ8-02	TBZ8-02-NCU
	10	R3/8	TBZ8-03	TBZ8-03-NCU
		R1/4	TBZ10-02	TBZ10-02-NCU
		R3/8	TBZ10-03	TBZ10-03-NCU
	12	R1/2	TBZ10-04	TBZ10-04-NCU
		R1/4	TBZ12-02	TBZ12-02-NCU
R3/8		TBZ12-03	TBZ12-03-NCU	
Different diameter double Y UWD	6-4	—	UWD6-4	←
	8-6	—	UWD8-6	←
Branch double Y TBW	4	R1/8	TBW4-01	TBW4-01-NCU
		R1/4	TBW4-02	TBW4-02-NCU
Branch union double Y UBW	4-6	—	UBW6-4	←
	6-8	—	UBW8-6	←
Different diameter triple UED	6-4	—	UED6-4	←
	8-4	—	UED8-4	←
	8-6	—	UED8-6	←
	10-6	—	UED10-6	←
	10-8	—	UED10-8	←
Branch triple TBE	6-4	R1/8	TBE6-4-01	TBE6-4-01-NCU
	8-4	R1/4	TBE8-4-02	TBE8-4-02-NCU
	8-6	R1/4	TBE8-6-02	TBE8-6-02-NCU
	10-8	R3/8	TBE10-8-03	TBE10-8-03-NCU
Branch union triple UBE	6-4	—	UBE6-4	←
	8-4	—	UBE8-4	←
	8-6	—	UBE8-6	←
	10-8	—	UBE10-8	←
Branch triple double TBEW	8-4	R1/4	TBEW8-4-02	TBEW8-4-02-NCU
		R3/8	TBEW8-4-03	TBEW8-4-03-NCU
	8-6	R1/4	TBEW8-6-02	TBEW8-6-02-NCU
		R3/8	TBEW8-6-03	TBEW8-6-03-NCU
	10-6	R3/8	TBEW10-6-03	TBEW10-6-03-NCU
		R1/2	TBEW10-6-04	TBEW10-6-04-NCU
10-8	R3/8	TBEW10-8-03	TBEW10-8-03-NCU	
	R1/2	TBEW10-8-04	TBEW10-8-04-NCU	
Different diameter triple double UEDW	8-4	—	UEDW8-4	←
	8-6	—	UEDW8-6	←
	10-6	—	UEDW10-6	←
	10-8	—	UEDW10-8	←
Jack TJ	4	M5×0.8	TJ4-M5	←
		R1/8	TJ4-01	TJ4-01-NCU
	6	M5×0.8	TJ6-M5	←
		R1/8	TJ6-01	TJ6-01-NCU
	8	R1/4	TJ6-02	TJ6-02-NCU
		R1/8	TJ8-01	TJ8-01-NCU
		R1/4	TJ8-02	TJ8-02-NCU
	10	R3/8	TJ8-03	TJ8-03-NCU
		R3/8	TJ10-03	TJ10-03-NCU

Fitting type	Tube outer diameter	Thread	Standard type model (reference)	NCU specification model
Socket nipple AN	4	—	AN4	←
	6	—	AN6	←
	8	—	AN8	←
	10	—	AN10	←
	12	—	AN12	←
	16	—	AN16	←
Different diameter socket nipple AND	6-4	—	AND6-4	←
	8-6	—	AND8-6	←
	10-8	—	AND10-8	←
	12-10	—	AND12-10	←
Extension bushing BB	—	M5×0.8	BBM5-M5	←
			BBM5-M5L	←
	—	M5×0.8,Rc1/8	BBM5-01	BBM5-01-NCU
			BBM5-01-NCU	←
	—	R1/8,M5×0.8	BB01-M5	←
			BB01-01	BB01-01-NCU
	—	R1/8,Rc1/8	BB01-02	BB01-02-NCU
			BB01-03	BB01-03-NCU
	—	R1/8,Rc3/8	BB02-M5	←
			BB02-01	BB02-01-NCU
BB02-02			BB02-02-NCU	
BB02-03			BB02-03-NCU	
—	R1/4,Rc1/4	BB02-04	BB02-04-NCU	
		BB03-01	BB03-01-NCU	
		BB03-02	BB03-02-NCU	
		BB03-03	BB03-03-NCU	
—	R3/8,Rc1/8	BB03-04	BB03-04-NCU	
		BB04-04	BB04-04-NCU	
		BB04-01	BB04-01-NCU	
		BB04-02	BB04-02-NCU	
Different diameter extension socket BBD	—	Rc1/8,M5×0.8	BBD01-M5	←
	—	Rc1/4,Rc1/8	BBD02-01	←
	—	Rc3/8,Rc1/8	BBD03-01	←
	—	Rc3/8,Rc1/4	BBD03-02	←
	—	Rc1/2,Rc1/4	BBD04-02	←
Plug UP	4	—	UP4	←
	6	—	UP6	←
	8	—	UP8	←
	10	—	UP10	←
	12	—	UP12	←
	16	—	UP16	←
Cap UC	4	—	UC4	←
	6	—	UC6	←
	8	—	UC8	←
	10	—	UC10	←
	12	—	UC12	←

QUICK FITTINGS STANDARD TYPE

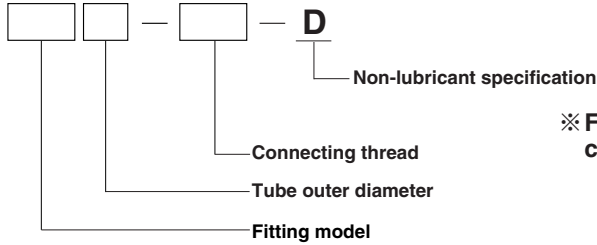
Non-lubricant Specification

- For specifications, see p.253.
- The dimensions for the non-lubricant specification shown below are the same as the standard type.
See the dimensions on p.259~277.

Caution: For delivery, consult us.

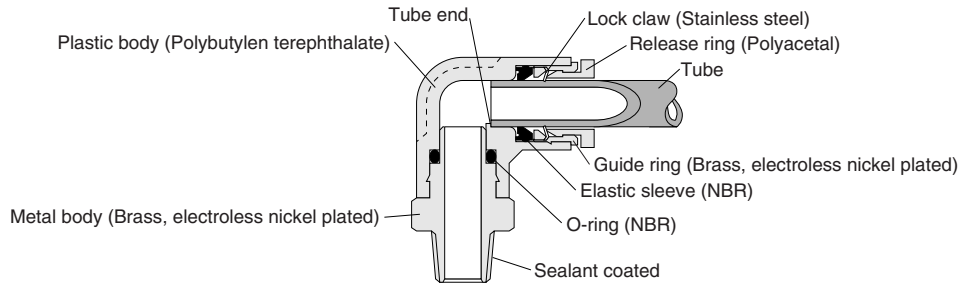
Non-lubricant Specification

● Order Codes



※ For the fitting models, the tube size, and thread combinations, see the table below.

Inner Construction, Major Parts and Materials



● Model Table

Fitting type	Tube outer diameter	Thread	Standard type model (reference)	Non-lubricant specification model
Straight TS	4	M5×0.8	TS4-M50	TS4-M50-D
			TS4-M5	TS4-M5-D
		M6×1	TS4-M6	TS4-M6-D
		R1/8	TS4-01	TS4-01-D
		R1/4	TS4-02	TS4-02-D
	6	M5×0.8	TS6-M5	TS6-M5-D
			TS6-M6	TS6-M6-D
		R1/8	TS6-01	TS6-01-D
		R1/4	TS6-02	TS6-02-D
		R3/8	TS6-03	TS6-03-D
	8	R1/8	TS8-01	TS8-01-D
		R1/4	TS8-02	TS8-02-D
		R3/8	TS8-03	TS8-03-D
	10	R1/8	TS10-01	TS10-01-D
		R1/4	TS10-02	TS10-02-D
		R3/8	TS10-03	TS10-03-D
R1/2		TS10-04	TS10-04-D	
12	R1/4	TS12-02	TS12-02-D	
	R3/8	TS12-03	TS12-03-D	
	R1/2	TS12-04	TS12-04-D	
16	R3/8	TS16-03	TS16-03-D	
	R1/2	TS16-04	TS16-04-D	
Straight with hexagon socket TSH	4	M5×0.8	TSH4-M5	TSH4-M5-D
		M6×1	TSH4-M6	TSH4-M6-D
		R1/8	TSH4-01	TSH4-01-D
	6	M5×0.8	TSH6-M5	TSH6-M5-D
		M6×1	TSH6-M6	TSH6-M6-D
		R1/8	TSH6-01	TSH6-01-D
	8	R1/4	TSH6-02	TSH6-02-D
		R1/8	TSH8-01	TSH8-01-D
		R1/4	TSH8-02	TSH8-02-D
		R3/8	TSH8-03	TSH8-03-D

Fitting type	Tube outer diameter	Thread	Standard type model (reference)	Non-lubricant specification model
Straight with hexagon socket TSH	10	R1/4	TSH10-02	TSH10-02-D
		R3/8	TSH10-03	TSH10-03-D
		R1/2	TSH10-04	TSH10-04-D
	12	R3/8	TSH12-03	TSH12-03-D
		R1/2	TSH12-04	TSH12-04-D
Female straight TSM	4	Rc1/8	TSM4-01	TSM4-01-D
		Rc1/4	TSM4-02	TSM4-02-D
	6	Rc1/8	TSM6-01	TSM6-01-D
		Rc1/4	TSM6-02	TSM6-02-D
	8	Rc1/8	TSM8-01	TSM8-01-D
		Rc1/4	TSM8-02	TSM8-02-D
		Rc3/8	TSM8-03	TSM8-03-D
	10	Rc1/4	TSM10-02	TSM10-02-D
		Rc3/8	TSM10-03	TSM10-03-D
		12	Rc1/4	TSM12-02
	Rc3/8		TSM12-03	TSM12-03-D
	Union straight US	4	—	US4
6		—	US6	US6-D
8		—	US8	US8-D
10		—	US10	US10-D
12		—	US12	US12-D
16		—	US16	US16-D
Different diameter union USD	6-4	—	USD6-4	USD6-4-D
	8-6	—	USD8-6	USD8-6-D
	10-8	—	USD10-8	USD10-8-D
	12-10	—	USD12-10	USD12-10-D
	16-12	—	USD16-12	USD16-12-D
Union for bulkhead UK	4	—	UK4	UK4-D
	6	—	UK6	UK6-D
	8	—	UK8	UK8-D
	10	—	UK10	UK10-D
	12	—	UK12	UK12-D

Non-lubricant Specification

Model Table

Fitting type	Tube outer diameter	Thread	Standard type model (reference)	Non-lubricant specification model
Female union for bulkhead UKM	4	Rc1/8	UKM4-01	UKM4-01-D
	6	Rc1/8	UKM6-01	UKM6-01-D
		Rc1/4	UKM6-02	UKM6-02-D
		Rc1/8	UKM8-01	UKM8-01-D
	8	Rc1/4	UKM8-02	UKM8-02-D
		Rc3/8	UKM8-03	UKM8-03-D
		Rc1/4	UKM10-02	UKM10-02-D
	10	Rc3/8	UKM10-03	UKM10-03-D
		Rc1/2	UKM12-04	UKM12-04-D
	Union for bulkhead B UKB	4	—	UKB4
6		—	UKB6	UKB6-D
8		—	UKB8	UKB8-D
10		—	UKB10	UKB10-D
12		—	UKB12	UKB12-D
Reducer UR	4-6	—	UR6-4	UR6-4-D
	4-8	—	UR8-4	UR8-4-D
	6-8	—	UR8-6	UR8-6-D
	6-10	—	UR10-6	UR10-6-D
	6-12	—	UR12-6	UR12-6-D
	8-10	—	UR10-8	UR10-8-D
	8-12	—	UR12-8	UR12-8-D
	10-12	—	UR12-10	UR12-10-D
Elbow TL	4	M5×0.8	TL4-M5	TL4-M5-D
		M6×1	TL4-M6	TL4-M6-D
		R1/8	TL4-01	TL4-01-D
		R1/4	TL4-02	TL4-02-D
	6	M5×0.8	TL6-M5	TL6-M5-D
		M6×1	TL6-M6	TL6-M6-D
		R1/8	TL6-01	TL6-01-D
		R1/4	TL6-02	TL6-02-D
		R3/8	TL6-03	TL6-03-D
	8	R1/8	TL8-01	TL8-01-D
		R1/4	TL8-02	TL8-02-D
		R3/8	TL8-03	TL8-03-D
	10	R1/8	TL10-01	TL10-01-D
		R1/4	TL10-02	TL10-02-D
		R3/8	TL10-03	TL10-03-D
		R1/2	TL10-04	TL10-04-D
	12	R1/4	TL12-02	TL12-02-D
		R3/8	TL12-03	TL12-03-D
	16	R1/2	TL12-04	TL12-04-D
		R3/8	TL16-03	TL16-03-D
Long elbow TLL	4	M5×0.8	TLL4-M5	TLL4-M5-D
		R1/8	TLL4-01	TLL4-01-D
	6	R1/8	TLL6-01	TLL6-01-D
		R1/4	TLL6-02	TLL6-02-D
		R3/8	TLL6-03	TLL6-03-D
	8	R1/8	TLL8-01	TLL8-01-D
		R1/4	TLL8-02	TLL8-02-D
		R3/8	TLL8-03	TLL8-03-D
	10	R1/4	TLL10-02	TLL10-02-D
		R3/8	TLL10-03	TLL10-03-D
		R1/2	TLL10-04	TLL10-04-D
		R1/4	TLL12-02	TLL12-02-D
	12	R3/8	TLL12-03	TLL12-03-D
		R1/2	TLL12-04	TLL12-04-D

Fitting type	Tube outer diameter	Thread	Standard type model (reference)	Non-lubricant specification model
Union elbow UL	4	—	UL4	UL4-D
	6	—	UL6	UL6-D
	8	—	UL8	UL8-D
	10	—	UL10	UL10-D
	12	—	UL12	UL12-D
	16	—	UL16	UL16-D
Union elbow for bulkhead UKBL	4	—	UKBL4	UKBL4-D
	6	—	UKBL6	UKBL6-D
	8	—	UKBL8	UKBL8-D
	10	—	UKBL10	UKBL10-D
Socket elbow ULA	4	—	ULA4	ULA4-D
	6	—	ULA6	ULA6-D
	8	—	ULA8	ULA8-D
	10	—	ULA10	ULA10-D
	12	—	ULA12	ULA12-D
Long socket elbow ULAL	4	—	ULAL4	ULAL4-D
	6	—	ULAL6	ULAL6-D
	8	—	ULAL8	ULAL8-D
	10	—	ULAL10	ULAL10-D
	12	—	ULAL12	ULAL12-D
Different diameter socket elbow ULAD	4-6	—	ULAD6-4	ULAD6-4-D
	6-8	—	ULAD8-6	ULAD8-6-D
	8-10	—	ULAD10-8	ULAD10-8-D
Tee TT	4	M5×0.8	TT4-M5	TT4-M5-D
		M6×1	TT4-M6	TT4-M6-D
		R1/8	TT4-01	TT4-01-D
		R1/4	TT4-02	TT4-02-D
	6	M5×0.8	TT6-M5	TT6-M5-D
		M6×1	TT6-M6	TT6-M6-D
		R1/8	TT6-01	TT6-01-D
		R1/4	TT6-02	TT6-02-D
		R3/8	TT6-03	TT6-03-D
	8	R1/8	TT8-01	TT8-01-D
		R1/4	TT8-02	TT8-02-D
		R3/8	TT8-03	TT8-03-D
	10	R1/4	TT10-02	TT10-02-D
		R3/8	TT10-03	TT10-03-D
	12	R1/2	TT10-04	TT10-04-D
		R1/4	TT12-02	TT12-02-D
16	R3/8	TT12-03	TT12-03-D	
	R1/2	TT12-04	TT12-04-D	
Branch tee TB	4	M5×0.8	TB4-M5	TB4-M5-D
		M6×1	TB4-M6	TB4-M6-D
		R1/8	TB4-01	TB4-01-D
		R1/4	TB4-02	TB4-02-D
	6	M5×0.8	TB6-M5	TB6-M5-D
		M6×1	TB6-M6	TB6-M6-D
		R1/8	TB6-01	TB6-01-D
		R1/4	TB6-02	TB6-02-D
	8	R3/8	TB6-03	TB6-03-D
		R1/8	TB8-01	TB8-01-D
		R1/4	TB8-02	TB8-02-D
		R3/8	TB8-03	TB8-03-D

Model Table

Fitting type	Tube outer diameter	Thread	Standard type model (reference)	Non-lubricant specification model
Branch tee TB	10	R1/4	TB10-02	TB10-02-D
		R3/8	TB10-03	TB10-03-D
		R1/2	TB10-04	TB10-04-D
	12	R1/4	TB12-02	TB12-02-D
		R3/8	TB12-03	TB12-03-D
		R1/2	TB12-04	TB12-04-D
16	R3/8	TB16-03	TB16-03-D	
	R1/2	TB16-04	TB16-04-D	
Union tee UT	4	—	UT4	UT4-D
	6	—	UT6	UT6-D
	8	—	UT8	UT8-D
	10	—	UT10	UT10-D
	12	—	UT12	UT12-D
	16	—	UT16	UT16-D
Different diameter union tee UTD	6-4	—	UTD6-4	UTD6-4-D
	8-6	—	UTD8-6	UTD8-6-D
	10-8	—	UTD10-8	UTD10-8-D
	12-10	—	UTD12-10	UTD12-10-D
Branch Y TBY	4	M5×0.8	TBY4-M5	TBY4-M5-D
		R1/8	TBY4-01	TBY4-01-D
		R1/4	TBY4-02	TBY4-02-D
	6	M5×0.8	TBY6-M5	TBY6-M5-D
		M6×1	TBY6-M6	TBY6-M6-D
		R1/8	TBY6-01	TBY6-01-D
		R1/4	TBY6-02	TBY6-02-D
		R3/8	TBY6-03	TBY6-03-D
	8	R1/8	TBY8-01	TBY8-01-D
		R1/4	TBY8-02	TBY8-02-D
		R3/8	TBY8-03	TBY8-03-D
	10	R1/4	TBY10-02	TBY10-02-D
		R3/8	TBY10-03	TBY10-03-D
		R1/2	TBY10-04	TBY10-04-D
	12	R1/4	TBY12-02	TBY12-02-D
R3/8		TBY12-03	TBY12-03-D	
R1/2		TBY12-04	TBY12-04-D	
Branch elbow Y TBLY	4	M5×0.8	TBLY4-M5	TBLY4-M5-D
		M6×1	TBLY4-M6	TBLY4-M6-D
		R1/8	TBLY4-01	TBLY4-01-D
		R1/4	TBLY4-02	TBLY4-02-D
	6	M5×0.8	TBLY6-M5	TBLY6-M5-D
		M6×1	TBLY6-M6	TBLY6-M6-D
		R1/8	TBLY6-01	TBLY6-01-D
		R1/4	TBLY6-02	TBLY6-02-D
		R3/8	TBLY6-03	TBLY6-03-D
	8	R1/8	TBLY8-01	TBLY8-01-D
		R1/4	TBLY8-02	TBLY8-02-D
		R3/8	TBLY8-03	TBLY8-03-D
	10	R1/4	TBLY10-02	TBLY10-02-D
		R3/8	TBLY10-03	TBLY10-03-D
		R1/2	TBLY10-04	TBLY10-04-D
	12	R1/4	TBLY12-02	TBLY12-02-D
R3/8		TBLY12-03	TBLY12-03-D	
R1/2		TBLY12-04	TBLY12-04-D	

Fitting type	Tube outer diameter	Thread	Standard type model (reference)	Non-lubricant specification model
Union Y UY	4	—	UY4	UY4-D
	6	—	UY6	UY6-D
	8	—	UY8	UY8-D
	10	—	UY10	UY10-D
	12	—	UY12	UY12-D
Different diameter union Y UYD	6-4	—	UYD6-4	UYD6-4-D
	8-6	—	UYD8-6	UYD8-6-D
	10-8	—	UYD10-8	UYD10-8-D
	12-10	—	UYD12-10	UYD12-10-D
Union elbow Y ULY	4	—	ULY4	ULY4-D
	6	—	ULY6	ULY6-D
	8	—	ULY8	ULY8-D
	10	—	ULY10	ULY10-D
	12	—	ULY12	ULY12-D
Branch union Y UB	4	—	UB4	UB4-D
	6	—	UB6	UB6-D
	8	—	UB8	UB8-D
	10	—	UB10	UB10-D
	12	—	UB12	UB12-D
Different diameter branch union Y UBD	4	—	UBD6-4	UBD6-4-D
	6	—	UBD8-6	UBD8-6-D
	8	—	UBD10-8	UBD10-8-D
	10	—	UBD12-10	UBD12-10-D
Tetra union UZ	4	—	UZ4	UZ4-D
	6	—	UZ6	UZ6-D
	8	—	UZ8	UZ8-D
	10	—	UZ10	UZ10-D
	12	—	UZ12	UZ12-D
Branch tetra TBZ	4	M5×0.8	TBZ4-M5	TBZ4-M5-D
		M6×1	TBZ4-M6	TBZ4-M6-D
		R1/8	TBZ4-01	TBZ4-01-D
		R1/4	TBZ4-02	TBZ4-02-D
	6	M5×0.8	TBZ6-M5	TBZ6-M5-D
		M6×1	TBZ6-M6	TBZ6-M6-D
		R1/8	TBZ6-01	TBZ6-01-D
		R1/4	TBZ6-02	TBZ6-02-D
		R3/8	TBZ6-03	TBZ6-03-D
	8	R1/8	TBZ8-01	TBZ8-01-D
		R3/8	TBZ8-03	TBZ8-03-D
	10	R1/4	TBZ10-02	TBZ10-02-D
		R3/8	TBZ10-03	TBZ10-03-D
		R1/2	TBZ10-04	TBZ10-04-D
	12	R1/4	TBZ12-02	TBZ12-02-D
		R3/8	TBZ12-03	TBZ12-03-D
R1/2		TBZ12-04	TBZ12-04-D	
Different diameter double Y UWD	6-4	—	UWD6-4	UWD6-4-D
	8-6	—	UWD8-6	UWD8-6-D
Branch double Y TBW	4	R1/8	TBW4-01	TBW4-01-D
		R1/4	TBW4-02	TBW4-02-D
	6	R1/8	TBW6-01	TBW6-01-D
Branch union double Y UBW	6-4	—	UBW6-4	UBW6-4-D
	8-6	—	UBW8-6	UBW8-6-D

Non-lubricant Specification

● Model Table

Fitting type	Tube outer diameter	Thread	Standard type model (reference)	Non-lubricant specification model
Different diameter triple UED	6-4	—	UED6-4	UED6-4-D
	8-4	—	UED8-4	UED8-4-D
	8-6	—	UED8-6	UED8-6-D
	10-6	—	UED10-6	UED10-6-D
	10-8	—	UED10-8	UED10-8-D
Branch triple TBE	6-4	R1/8	TBE6-4-01	TBE6-4-01-D
	8-4	R1/4	TBE8-4-02	TBE8-4-02-D
	8-6	R1/4	TBE8-6-02	TBE8-6-02-D
	10-8	R3/8	TBE10-8-03	TBE10-8-03-D
Branch union triple UBE	6-4	—	UBE6-4	UBE6-4-D
	8-4	—	UBE8-4	UBE8-4-D
	8-6	—	UBE8-6	UBE8-6-D
	10-8	—	UBE10-8	UBE10-8-D
Branch triple double TBEW	8-4	R1/4	TBEW8-4-02	TBEW8-4-02-D
		R3/8	TBEW8-4-03	TBEW8-4-03-D
	8-6	R1/4	TBEW8-6-02	TBEW8-6-02-D
		R3/8	TBEW8-6-03	TBEW8-6-03-D
	10-6	R3/8	TBEW10-6-03	TBEW10-6-03-D
		R1/2	TBEW10-6-04	TBEW10-6-04-D
	10-8	R3/8	TBEW10-8-03	TBEW10-8-03-D
		R1/2	TBEW10-8-04	TBEW10-8-04-D
Different diameter triple double UEDW	8-4	—	UEDW8-4	UEDW8-4-D
	8-6	—	UEDW8-6	UEDW8-6-D
	10-6	—	UEDW10-6	UEDW10-6-D
	10-8	—	UEDW10-8	UEDW10-8-D
Cap UC	4	—	UC4	UC4-D
	6	—	UC6	UC6-D
	8	—	UC8	UC8-D
	10	—	UC10	UC10-D
	12	—	UC12	UC12-D

Safety Precautions (Quick Fittings Standard Type)

The following is a safety precaution to Quick Fittings Standard Type. For other safety precautions, be sure to read the precautions on p.49.

Warning

- With the exception of the quick fittings rotary type, do not use any quick fittings in locations where thread portions or tubes are subject to swing or rotation. The swing or rotation could result in damage to the fitting body.

Handling Instructions and Precautions

● Mounting

Precautions for mounting the body

1. To mount the body, use a suitable tool to tighten it to the outer or inner hexagonal section of the fitting.
2. When tightening threads, tighten to the recommended tightening torque shown in the table below. Tightening to more than the recommended torque could result in broken threads or air leaks due to deformed gaskets. Tightening to less than the recommended torque could lead to loose threads or air leaks.
3. For fittings with fixed piping direction, tighten to the desired piping direction, and then adjust so that it falls within the range of the body tightening torque.

Recommended tightening torque, color of sealant, and gasket material

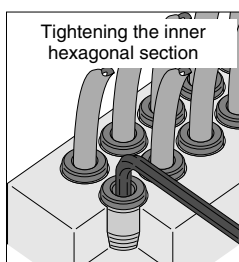
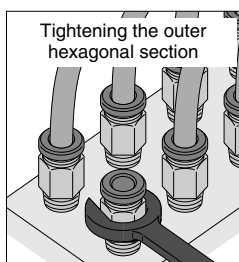
Thread type	Thread	Tightening torque	Sealant color	Gasket material
Metric thread	M3×0.5	0.7N·m [6.2in·lbf]	—	SUS304 NBR
	M5×0.8	1.0~1.5N·m [8.9~13.3in·lbf]		
	M6×1	1.8~2.3N·m [15.9~20.4in·lbf]		
Taper pipe thread	R1/8	7~9N·m [62~80in·lbf]	White	—
	R1/4	12~14N·m [106~124in·lbf]		
	R3/8	22~24N·m [195~212in·lbf]		
	R1/2	28~30N·m [248~266in·lbf]		

Precautions for disconnecting the body

1. To disconnect the body, use a suitable tool to loosen it from the outer or inner hexagonal section of the body.
2. Clean off the sealant coating on the thread of the removed mating part. The coated sealant could enter other relating parts, and cause breakdowns.

Method for tightening screws

For tightening screws, use either a wrench or an impact wrench on outer hexagonal sections, and for inner hexagonal sections, use an Allen wrench (enables to reduce the space between fittings).



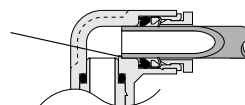
Caution: While the quick fitting sealant can be reused a number of times, the thread on the mating part may also be adhered with sealant. Always clean out the inside of the device's female thread.

● Tube connection and disconnection

Precautions for connecting the tube

1. Check that the cut section of the tube has been cut at straight angle, that the outer surface of the tube is not scratched, and that the tube has not become oval shaped.
2. When connecting a tube, failure to insert the tube all the way to the end could result in air leaks.

Tube end



3. After connection, pull the tube to check that it will not disconnect.

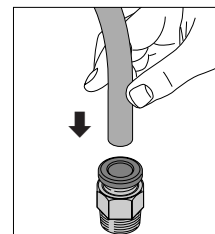
Precautions for disconnecting the tube

1. Before disconnecting a tube, check that the pressure inside the tube is down to zero.
2. Push the release ring evenly all the way to the end, and then pull the tube out. An insufficient push could make it impossible to pull the tube out, or could scratch the tube, leaving scratched tube material inside the fitting.

Tube connection and disconnection method

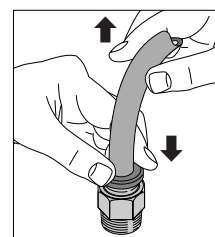
1. Tube connection

The Quick Fitting Standard Type is equipped with a lock claw that holds the tube in place when it has been pushed all the way to the end, and with an elastic sleeve for sealing the tube periphery.



2. Tube disconnection

To disconnect the tube, first push on the release ring, releasing the lock claw, and then pull the tube out. Always stop the air supply before removing the tube.



For cases where tight or cramped piping spaces hinder tube removal operations, a special tool is available. Consult us for details.

Special tool for tube removal

For ϕ 3 [0.118in.], ϕ 4 [0.157in.] and ϕ 6 [0.236in.] tubes
Order code: **UJ-1**



For ϕ 6 [0.236in.], ϕ 8 [0.315in.],
 ϕ 10 [0.394in.] and ϕ 12 [0.427in.] tubes
Order code: **UJ-2**



Handling Instructions and Precautions

● Usable tubes

Either nylon or urethane tubes can be used. The tube outer diameter accuracy should be, for nylon tubes, within $\pm 0.1\text{mm}$ [$\pm 0.004\text{in.}$] of the nominal dimensions, and for urethane tubes, within $\pm 0.15\text{mm}$ [$\pm 0.006\text{in.}$] of the nominal dimensions, while the ovalness (difference between long diameter and short diameter) should be within 0.2mm [0.008in.].

- Cautions:**
1. Use tubes with no visible scratches on the outer surface. If a scratch is made during repeated use, cut off the scratched portion.
 2. Do not bend or twist the tube too much near the connection to the fitting. It could result in air leaks. The minimum bending radius for nylon tubes is as shown in the table below.

mm [in.]	
Tube size	Minimum bending radius
ϕ 4 [0.157]	20 [0.8]
ϕ 6 [0.236]	30 [1.2]
ϕ 8 [0.315]	50 [2.0]
ϕ 10 [0.394]	80 [3.1]
ϕ 12 [0.472]	150 [5.9]
ϕ 16 [0.630]	500 [20]

For $\phi 1.8$ [0.071 in.] Tubes

QUICK FITTING MINI TYPE

Koganei has developed $\phi 1.8$ mm [0.071 in.] sized quick fittings, an industry first for the market.

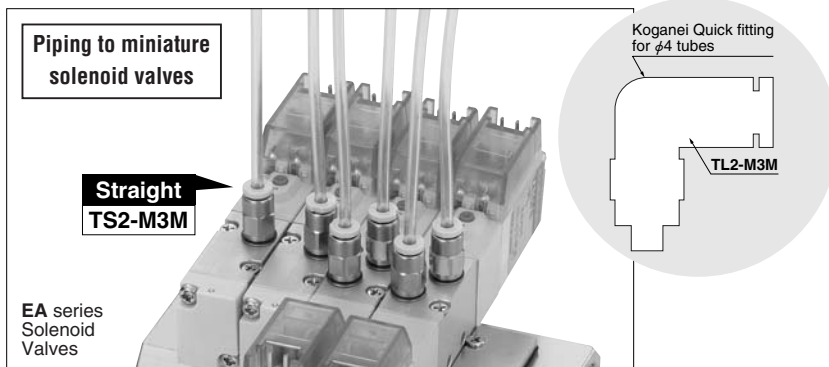
- Using $\phi 1.8$ [0.071 in.] tube achieves energy-saving, space-saving, and high tact time.
- Quick connection and disconnection of tubes offer superb performance.

Miniaturized!



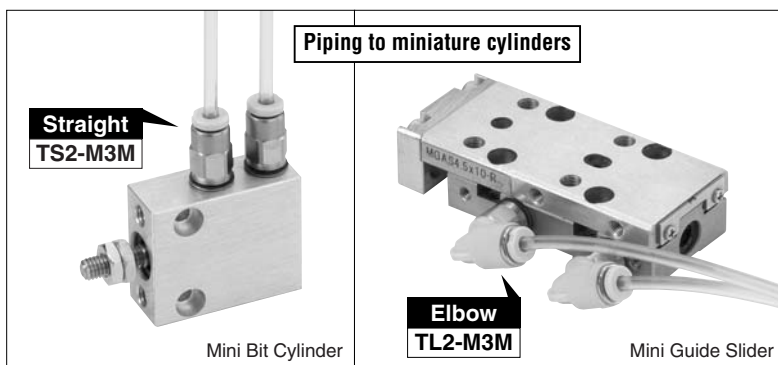
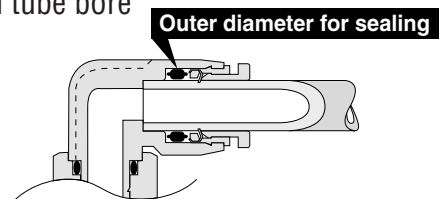
Compact connection

- 20% reduction in terms of volume compared to our current quick fitting for $\phi 4$ [0.157 in.] tubes.
- Suitable for piping to miniature cylinders and solenoid valves.



Minimum flow loss using tube's full bore

Compared to barb fittings, quick fittings use the tube outer diameter for sealing, thereby achieving maximum flow using the full tube bore.



Tubes suitable for the fittings are available

The $\phi 1.8$ [0.071 in.] urethane tubes compatible with the fittings are also available.



- Model : U2-CB (Tube color : Blue-transparent)
- U2-C (Tube color : Transparent)
- U2-B (Tube color : Black)

Note: Use Koganei-made tubes for these fittings. Other manufacturers' tubes must not be used as they may be connected improperly. Care should be taken that Koganei conductive urethane tube U2A-B cannot be used.

Respond to Every Piping Requirement

Wide Product Range with 11 Types, 16 Models

Sales unit: One pack (10 pcs.)

mm [in.]

●TS Straight

316



Model	Tube outer diameter φD	R
TS2-M3M	1.8 [0.071]	M3×0.5
TS2-M5M	1.8 [0.071]	M5×0.8

●TSH Straight with hexagon socket

316



Model	Tube outer diameter φD	R
TSH2-M3M	1.8 [0.071]	M3×0.5

●US Union straight

316



Model	Tube outer diameter φD
US2M	1.8 [0.071]

●USD Different diameter union

317



Model	Tube outer diameter φD1	Tube outer diameter φD2
USD3-2M	1.8 [0.071]	3 [0.118]
USD4-2M	1.8 [0.071]	4 [0.157]

●UR Reducer

317



Model	Tube outer diameter φD1	Applicable fitting diameter φD2
UR4-2M	1.8 [0.071]	4 [0.157]

●TL Elbow

317



Model	Tube outer diameter φD	R
TL2-M3M	1.8 [0.071]	M3×0.5
TL2-M5M	1.8 [0.071]	M5×0.8

●UL Union elbow

318



Model	Tube outer diameter φD
UL2M	1.8 [0.071]

●TT Tee

318



Model	Tube outer diameter φD	R
TT2-M3M	1.8 [0.071]	M3×0.5
TT2-M5M	1.8 [0.071]	M5×0.8

●TB Branch tee

318



Model	Tube outer diameter φD	R
TB2-M3M	1.8 [0.071]	M3×0.5
TB2-M5M	1.8 [0.071]	M5×0.8

●UT Union tee

319



Model	Tube outer diameter φD
UT2M	1.8 [0.071]

●UP Plug

319



Model	Applicable fitting diameter φD
UP2M	1.8 [0.071]

QUICK FITTINGS MINI TYPE

For $\phi 1.8$ Tubes

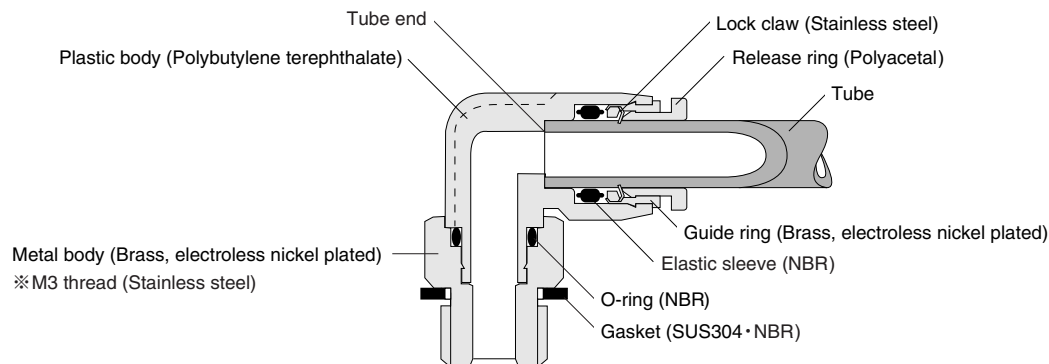
Specifications

Item \ Applicable tube size	$\phi 1.8$ [0.071 in.]	$\phi 3$ [0.118 in.]	$\phi 4$ [0.157 in.]
Media	Air		
Maximum operating pressure	1.0 MPa [145 psi.]		
Operating vacuum pressure	-100 kPa [-29.54 in.Hg]		
Operating temperature range	0~60°C [32~140°F]		
Recommended tube ^{Note}	Urethane Tube		Urethane Tube, Nylon Tube
Seles unit	1 pack (10 pcs.)		

Remark: Supplied with a gasket.

Note: Use Koganei tubes. Care should be taken that Koganei conductive urethane tube **U2A-B** cannot be used.

Inner Construction and Major Parts Materials



Order Code

Place an order with the code after confirming the types, tubes to be used, tube outer diameters, and connection thread, shown in types and models on p.314.

Sales unit: One pack (10 pcs.)

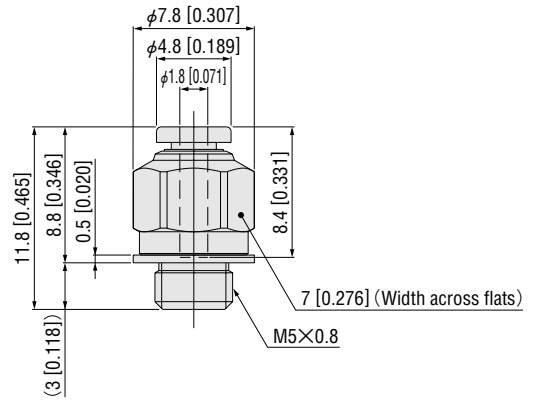
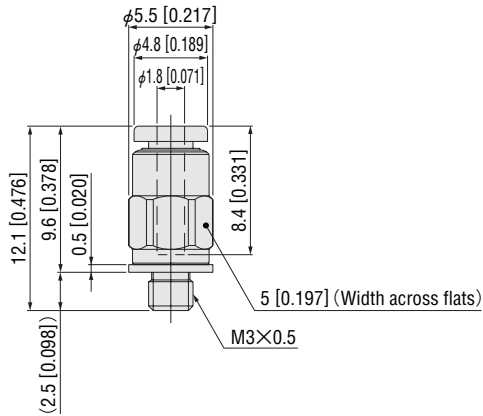
Effective Area and Mass

Name	Model	Effective area mm ² [Cv]	Mass g [oz.]
Straight	TS2-M3M	0.7 [0.039]	1 [0.035]
	TS2-M5M	0.8 [0.044]	2.3 [0.081]
Straight with hexagon socket	TSH2-M3M	0.7 [0.039]	0.9 [0.032]
Union straight	US2M	0.6 [0.033]	1.1 [0.039]
Different diameter union	USD3-2M	0.6 [0.033]	1.1 [0.039]
	USD4-2M	0.6 [0.033]	1.8 [0.063]
Reducer	UR4-2M	0.6 [0.033]	0.7 [0.025]
Elbow	TL2-M3M	0.5 [0.028]	1.4 [0.049]
	TL2-M5M	0.7 [0.039]	2.8 [0.099]
Union elbow	UL2M	0.6 [0.033]	1.2 [0.042]
Tee	TT2-M3M	0.6 [0.033]	1.9 [0.067]
	TT2-M5M	0.7 [0.039]	3.2 [0.113]
Branch tee	TB2-M3M	0.6 [0.033]	1.9 [0.067]
	TB2-M5M	0.8 [0.044]	3.2 [0.113]
Union tee	UT2M	0.6 [0.033]	1.7 [0.060]
Plug	UP2M	—	0.1 [0.004]

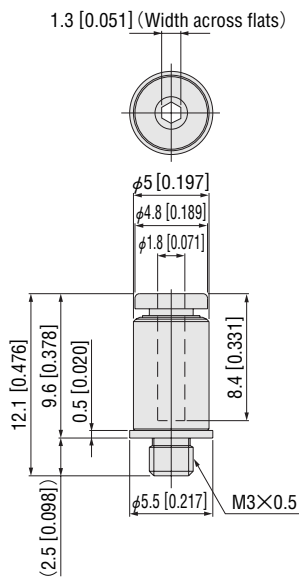
Dimensions mm [in.]

Straight
TS2-M3M

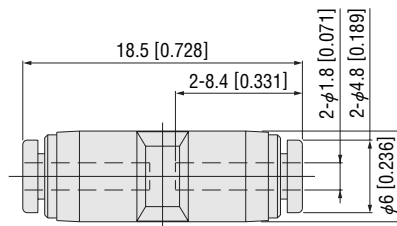
TS2-M5M



Straight with hexagon socket
TSH2-M3M

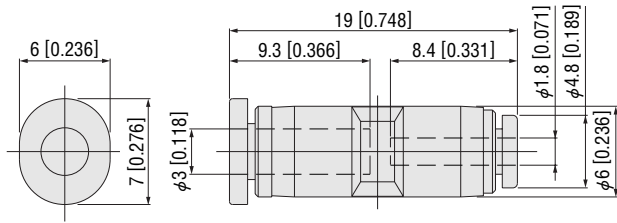


Union straight
US2M

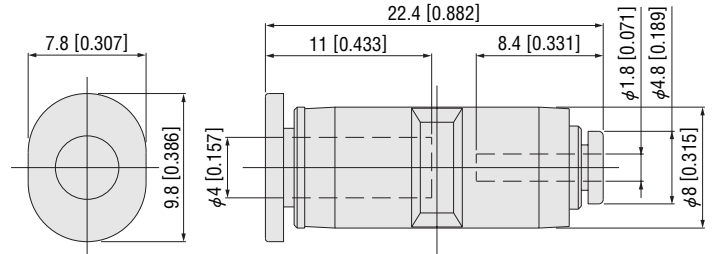


Dimensions mm [in.]

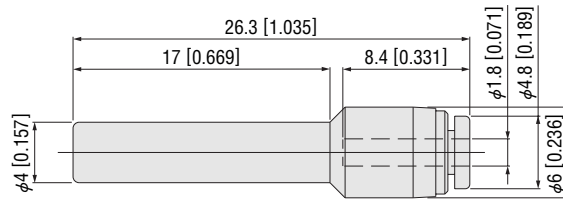
Different diameter union
USD3-2M



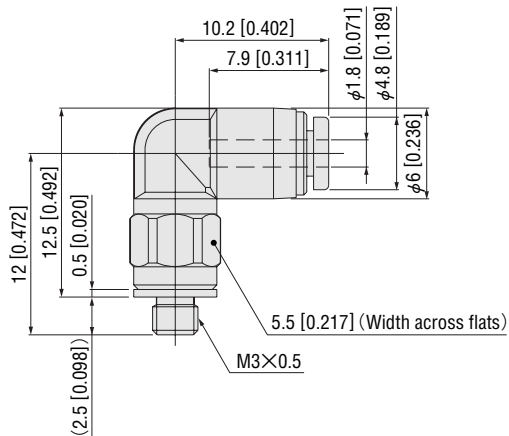
USD4-2M



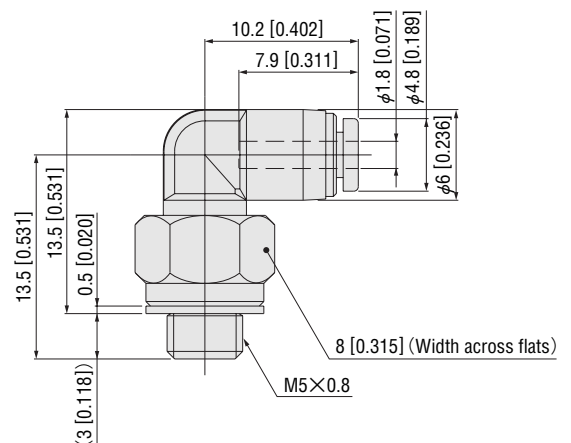
Reducer
UR4-2M



Elbow
TL2-M3M

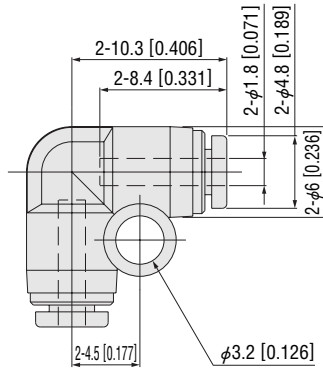


TL2-M5M

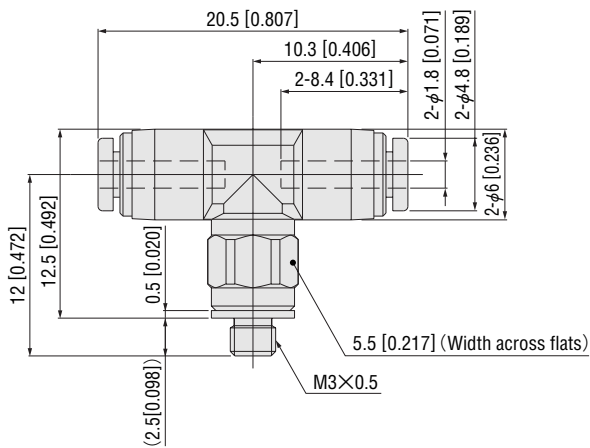


Dimensions mm [in.]

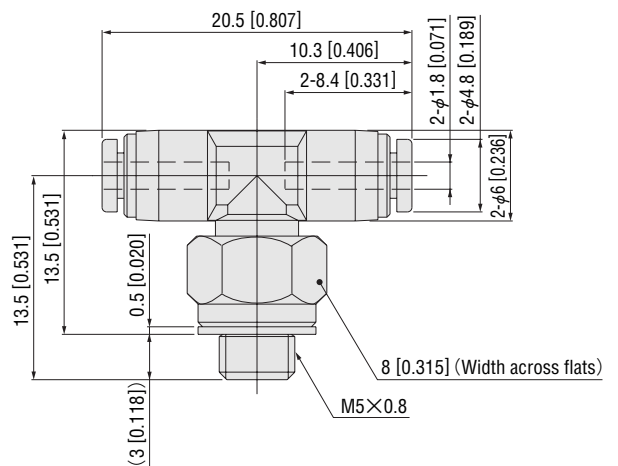
Union elbow
UL2M



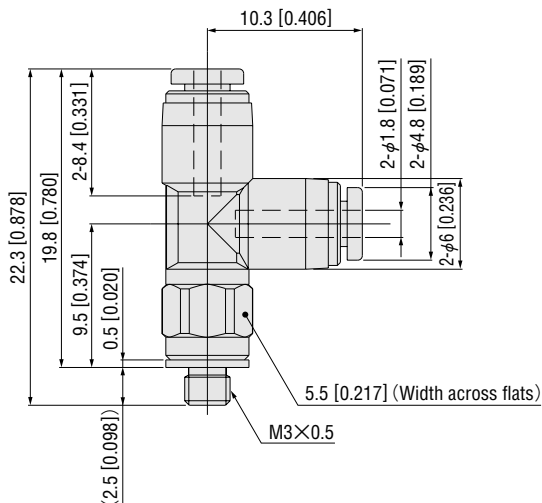
Tee
TT2-M3M



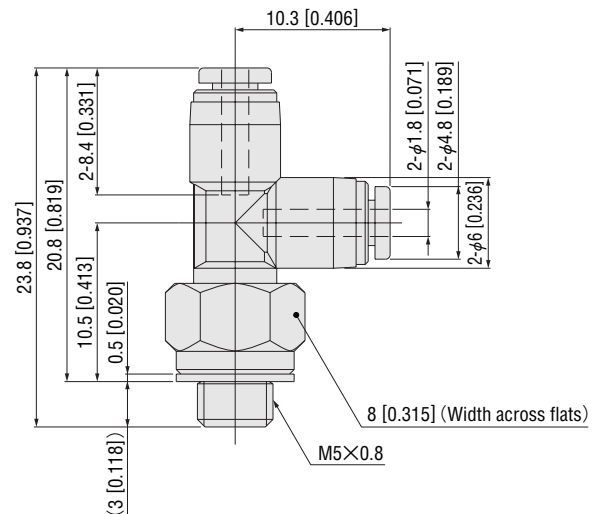
TT2-M5M



Branch tee
TB2-M3M

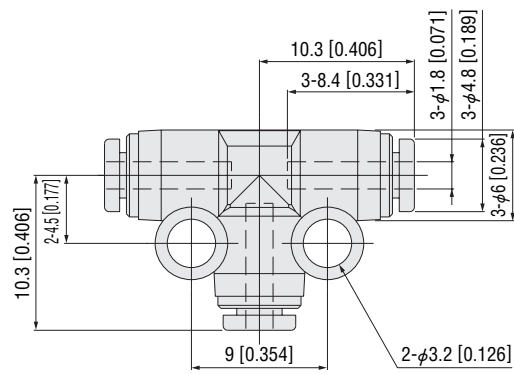


TB2-M5M

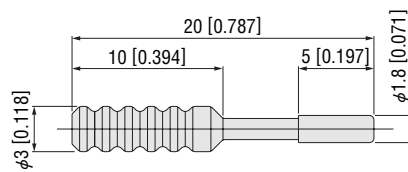


Dimensions mm [in.]

Union tee UT2M



Plug UP2M



Safety Precautions (Quick Fittings Mini Type for $\phi 1.8$ Tubes)

The following is a safety precaution to Quick Fittings Mini Type. For other safety precautions, be sure to read the precautions on p.49.

Warning

- With the exception of the quick fittings rotary type, do not use any quick fittings in locations where thread portions or tubes are subject to swing or rotation. The swing or rotation could result in damage to the fitting body.

Handling Instructions and Precautions

● Mounting

Precautions for mounting the body

1. To mount the body, use a suitable tool to tighten it to the outer or inner hexagonal section of the fitting.
2. When tightening threads, tighten to the recommended tightening torque shown in the table below. Tightening to more than the recommended torque could result in broken threads or air leaks due to deformed gaskets. Tightening to less than the recommended torque could lead to loose threads or air leaks.
3. For fittings with fixed piping direction, tighten to the desired piping direction, then adjust so that it falls within the range of the body tightening torque.

Recommended tightening torques and gasket material

Thread type	Thread	Tightening torque	Gasket material
Metric thread	M3×0.5 ^{Note}	0.7N·m [6.2 in·lbf]	SUS304 NBR
	M5×0.8	1.0~1.5N·m [8.9~13.3 in·lbf]	

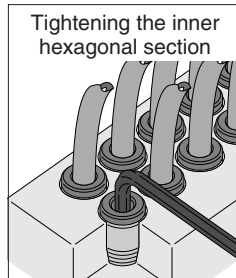
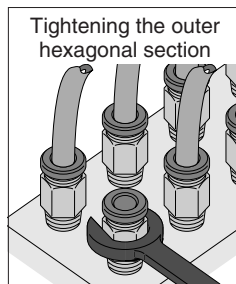
Note: Straight with hexagon socket (TSH2-M3M) has a tightening torque of 0.3 N·m [2.7 in·lbf].

Precautions for disconnecting the body

To disconnect the body, use a suitable tool to loosen it from the outer or inner hexagonal section of the body.

Method for tightening screws

For tightening screws, use either a wrench on outer hexagonal sections, and for inner hexagonal sections, use an Allen wrench (enables to reduce the space between fittings).

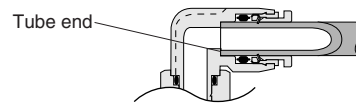


- Cautions:**
1. Because the Quick Fitting Mini Type is compact and lightweight, avoid uses that subject it to external forces. Excessive bending or pulling force could damage the fittings.
 2. Use the tightening torque shown in the table above, and avoid applying excessive tightening torque.

● Tube connection and disconnection

Precautions for connecting the tube

1. Check that the cut section of the tube has been cut at straight angle, that the outer surface of the tube is not scratched, and that the tube has not become oval shaped.
2. When connecting a tube, failure to insert the tube all the way to the end could result in air leaks.



3. After connection, pull the tube to check that it will not disconnect.

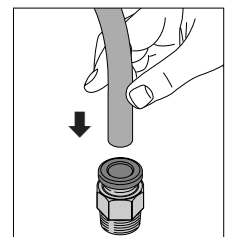
Precautions for disconnecting the tube

1. Before disconnecting a tube, check that the pressure inside the tube is down to zero.
2. Push the release ring evenly all the way to the end, and then pull the tube out. An insufficient push could make it impossible to pull the tube out, or could scratch the tube, leaving scratched tube material inside the fitting.

Tube connection and disconnection method

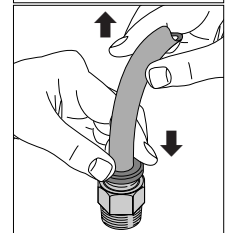
1. Tube connection

The Quick Fitting Mini Type is equipped with a lock claw that holds the tube in place when it has been pushed all the way to the end, and with an elastic sleeve for sealing the tube periphery.



2. Tube disconnection

To disconnect the tube, first push on the release ring, releasing the lock claw, and then pull the tube out. Always stop the air supply before removing the tube.



● Usable tubes

Use Koganei tubes. Other manufacturers' tubes must not be connected due to improper connection. Koganei conductive urethane tube **U2A-B** cannot be used.

- Cautions:**
1. Use tubes with no visible scratches on the outer surface. If a scratch is made during repeated use, cut off the scratched section.
 2. Do not bend or twist the tube too much near the connection to the fitting. It could result in air leaks.

QUICK FITTINGS MINI TYPE

For $\phi 3$ to $\phi 6$ Tubes

- Compact quick fitting offers smaller pitch and takes up less space.
(40% smaller volume and 20% less outer diameter than previous products)

- A wide range of product series that includes 45° elbow and cross types assist mounting work in confined space.

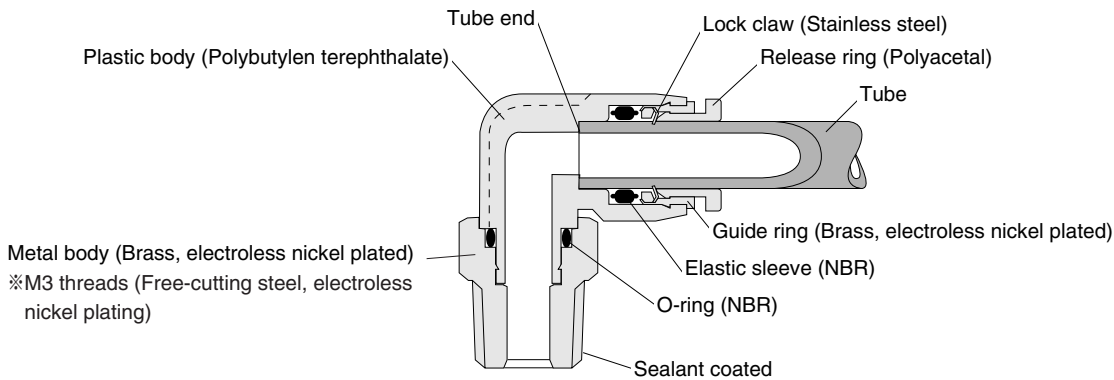
Specifications

Item	Applicable tube size	$\phi 3$	$\phi 4$	$\phi 6$
Media		Air		
Maximum operating pressure		0.9 MPa [131 psi.]		
Operating vacuum pressure		-100 kPa [-29.54 in.Hg]		
Operating temperature range		0~60°C [32~140°F]		
Recommended tube ^{Note}		Urethane tube	Nylon tube, urethane tube	
Sales unit		1 pack (10 pcs.)		

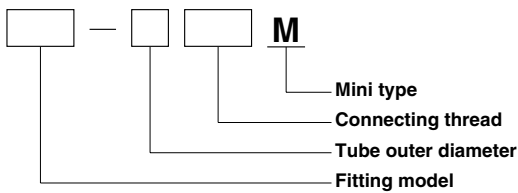
Remark: Supplied with a gasket or sealant coated.

Note: Use tubes with outer dimensions within $\pm 0.1\text{mm}$ [$\pm 0.004\text{in.}$] of the nominal dimensions.

Inner Construction, Major Parts and Materials



Order Codes



※For the fitting models, the tube size, and thread combinations, see p.322~324.

Remark: For NCU specification, see p.334~335.
For non-lubricant specification, see p.336~337.

●TS Straight 325



Tube — Thread size			
M3×0.5	M5×0.8	M6×1	R1/8
3—M3	3—M5	3—M6	—
4—M3	4—M5	4—M6	4—01
—	6—M5	6—M6	6—01

●TSH Straight with hexagon socket 325



Tube — Thread size			
M3×0.5	M5×0.8	M6×1	R1/8
3—M3	3—M5	—	—
4—M3	4—M5	4—M6	4—01
—	6—M5	6—M6	6—01

●TSK Cartridge 325



Tube — Thread size	
M6×0.75	M8×0.75
3—M6	—
4—M6	4—M8
—	6—M8

●TSM Female straight 325



Tube — Thread size	
M3×0.5	M5×0.8
3—M3	3—M5
4—M3	4—M5

●US Union straight 326



Tube size
3
4
6

●USD Different diameter union 326



Tube size
4—3
6—4

●UK Union for bulkhead 326



Tube size
3
4
6

●UR Reducer 326



Socket — Tube size
4—3
6—3
6—4

●TL Elbow 327



Tube — Thread size			
M3×0.5	M5×0.8	M6×1	R1/8
3—M3	3—M5	3—M6	—
4—M3	4—M5	4—M6	4—01
—	6—M5	6—M6	6—01

●TLL Long elbow 327



Tube — Thread size			
M3×0.5	M5×0.8	M6×1	R1/8
3—M3	—	—	—
4—M3	4—M5	4—M6	4—01
—	6—M5	6—M6	6—01

●UL Union elbow 327



Tube size
3
4
6

●ULA Socket elbow 328



Tube, socket size
3
4
6

●ULAD Different diameter socket elbow 328



Socket — Tube size
4—3
6—3
6—4

●TLV 45° elbow 328



Tube — Thread size		
M5X0.8	M6X1	R1/8
4—M5	4—M6	4—01
6—M5	6—M6	6—01

●ULAV 45° socket elbow 328



Tube, socket size
4
6

●TT Tee 329



Tube — Thread size			
M3X0.5	M5X0.8	M6X1	R1/8
3—M3	3—M5	3—M6	—
4—M3	4—M5	4—M6	4—01
—	6—M5	6—M6	6—01

●TB Branch tee 329



Tube — Thread size			
M3X0.5	M5X0.8	M6X1	R1/8
3—M3	3—M5	3—M6	—
4—M3	4—M5	4—M6	4—01
—	6—M5	6—M6	6—01

●UT Union tee 329



Tube size
3
4
6

●UTD Different diameter union tee 330



Tube size
4—3
6—4

●UY Union Y 330



Tube size
3
4
6

● **UYD** Different diameter union Y 330



Tube size
4-3
6-3
6-4

● **UB** Branch union Y 331



Tube size
3
4
6

● **UBD** Different diameter branch union Y 331



Socket — Tube size
4-3
6-3
6-4

● **UXA** Cross A 332



Tube size
3
4
6

● **UXB** Cross B (different diameter) 332



Tube size
4-3
6-4

● **UXC** Cross C (different diameter) 332



Tube size
4-3
6-4

● **UP3M** Plug 333



For the 4 mm and 6 mm sizes, plugs for the standard type quick fittings can be used.

Socket size
3

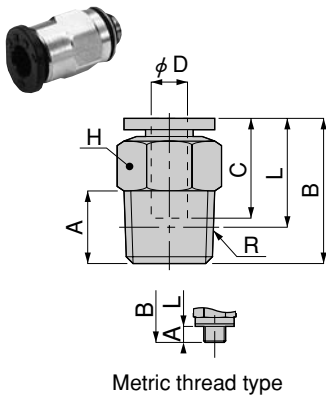
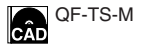
● **UC3M** Cap 333



For the 4 mm and 6 mm sizes, caps for the standard type quick fittings can be used.

Tube size
3

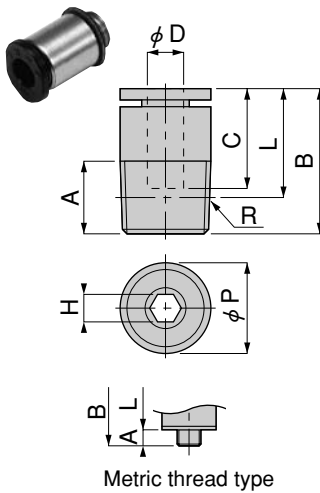
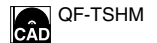
**Straight
TS**



Model	Tube outer diameter ϕD	R	A	B	L ^{Note}	C	Width across flats H	Effective area (mm ²)	Mass (g) [oz.]
TS3-M3M	3	M3×0.5	2.5	13	10.5	9.3	5.5	0.7	1.1 [0.039]
TS3-M5M		M5×0.8	3	15.6	12.6	10.9	8	3	3.4 [0.120]
TS3-M6M		M6×1	3.9	16.6	12.7				3.7 [0.131]
TS4-M3M	4	M3×0.5	2.5	15.1	12.6	10.9	8	0.9	2.4 [0.085]
TS4-M5M		M5×0.8	3	15.6					3.8
TS4-M6M		M6×1	3.9	16.6	12.7			6.3	3.6 [0.127]
TS4-01M		R1/8	8	15.6	11.6			6.4	6.6 [0.233]
TS6-M5M	6	M5×0.8	3	17	14	11.7	10	3.6	4.5 [0.159]
TS6-M6M		M6×1	3.9	18	14.1				4.8 [0.169]
TS6-01M		R1/8	8	17.6	13.6			6.3	6 [0.212]

Note: The L dimensions for the tapered thread type are the reference dimensions after the fittings are assembled.

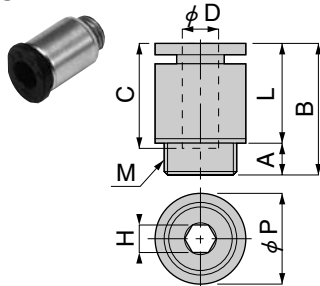
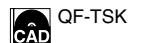
**Straight with hexagon socket
TSH**



Model	Tube outer diameter ϕD	R	A	B	L ^{Note}	C	Width across flats H	ϕP	Effective area (mm ²)	Mass (g) [oz.]
TSH3-M3M	3	M3×0.5	2.5	15.1	12.6	10.9	1.5	8	1.9	2.3 [0.081]
TSH3-M5M		M5×0.8	3	15.6			2		2.8	3.2 [0.113]
TSH4-M3M	4	M3×0.5	2.5	15.1	12.6	10.9	1.5	8	1.8	2.2 [0.078]
TSH4-M5M		M5×0.8	3	15.6			2.5		5.1	3 [0.106]
TSH4-M6M		M6×1	3.9	16.6	12.7		3	10	7	3.3 [0.116]
TSH4-01M		R1/8	8	15.8	11.8				7.4	6.2 [0.219]
TSH6-M5M	6	M5×0.8	3	17.5	14.5	11.7	2.5	10	5.2	4.4 [0.155]
TSH6-M6M		M6×1	4	18	14		3		7.1	4.7 [0.166]
TSH6-01M		R1/8	8	17.9	13.9		4		13	5.6 [0.198]

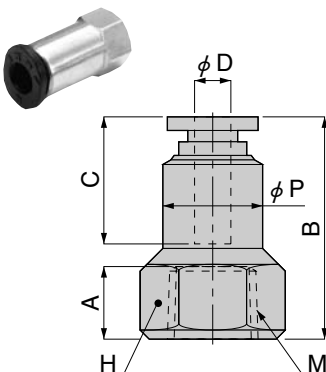
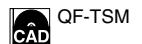
Note: The L dimensions for the tapered thread type are the reference dimensions after the fittings are assembled.

**Cartridge
TSK**



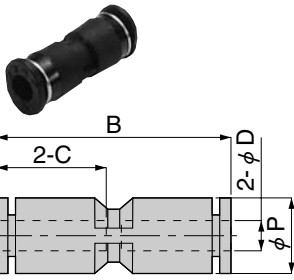
Model	Tube outer diameter ϕD	M	A	B	L	C	Width across flats H	ϕP	Effective area (mm ²)	Mass (g) [oz.]
TSK3-M6M	3	M6×0.75	3	14	11	10.9	2	8	2.9	2.7 [0.095]
TSK4-M6M	4	M6×0.75	3	14	11	10.4	2.5	8	5.1	2.6 [0.092]
TSK4-M8M		M8×0.75	3.4		10.6					
TSK6-M8M	6	M8×0.75	3.4	14.8	11.4	11.7	4	10	12.8	3.6 [0.127]

**Female straight
TSM**



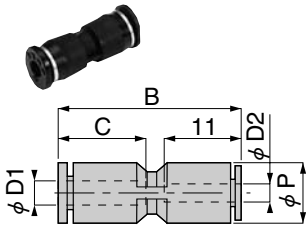
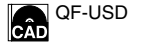
Model	Tube outer diameter ϕD	M	A	B	ϕP	C	Width across flats H	Effective area (mm ²)	Mass (g) [oz.]
TSM3-M3M	3	M3×0.5	3.7	13.7	5.5	9.3	5.5	1.4	1.5 [0.053]
TSM3-M5M		M5×0.8	5	15.3	8		8	2.8	4.2 [0.148]
TSM4-M3M	4	M3×0.5	3.3	15.4	8	10.9	8	3.5	3.6 [0.127]
TSM4-M5M		M5×0.8	5	17.6					

Union straight
US



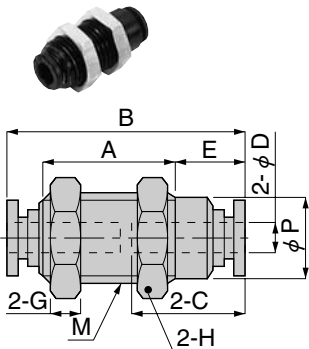
Model	Tube outer diameter ϕ D	B	ϕ P	C	Effective area (mm ²)	Mass (g) [oz.]
US3M	3	19.6	6	9.3	2.7	1.1 [0.039]
US4M	4	22.7	8	11	5.4	2 [0.071]
US6M	6	24.4	10.4	11.6	11	3.1 [0.109]

Different diameter union
USD



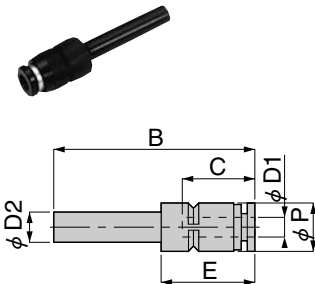
Model	Tube outer diameter ϕ D1	Tube outer diameter ϕ D2	B	ϕ P	C	Effective area (mm ²)	Mass (g) [oz.]
USD4-3M	4	3	22.7	8	11	2.4	2.1 [0.074]
USD6-4M	6	4	24	10.4	11.6	5.6	3 [0.106]

Union for bulkhead
UK



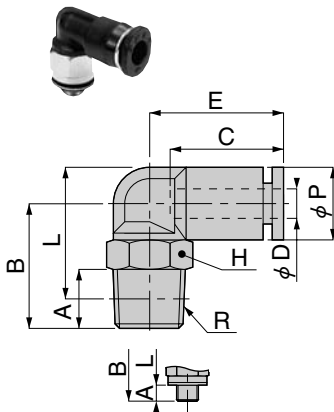
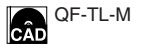
Model	Tube outer diameter ϕ D	M	B	E	A	ϕ P	C	Width across flats H	G	Effective area (mm ²)	Mass (g) [oz.]
UK3M	3	M8X0.75	19.3	4.7	12.4	7	9.3	10	2	2.4	3.1 [0.109]
UK4M	4	M10X1	23.2	5.8	14.1	8.9	10.9	12	3	3.7	6 [0.212]
UK6M	6	M12X1	25	6.6	14.8	10.8	11.7	14	4	10.5	9 [0.317]

Reducer
UR



Model	Tube outer diameter ϕ D1	Applicable fitting diameter ϕ D2	B	E	ϕ P	C	Effective area (mm ²)	Mass (g) [oz.]
UR4-3M	3	4	33.3	13.3	8	9.3	3.7	1.4 [0.049]
UR6-3M	3	6	38	15.7	9.6	11	3.1	2.4 [0.085]
UR6-4M	4						5.4	

**Elbow
TL**

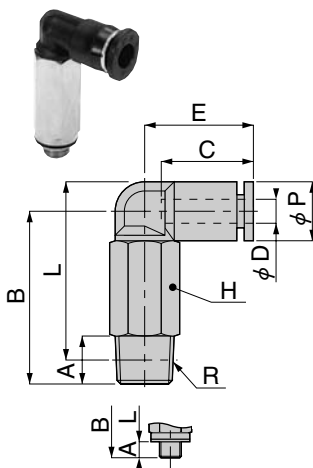
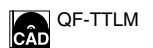


Metric thread type

Model	Tube outer diameter ϕD	R	A	B	L ^{Note}	ϕP	C	E	Width across flats H	Effective area (mm ²)	Mass (g) [oz.]	
TL3-M3M	3	M3X0.5	2.5	12	12.5	6	9.3	10.8	5.5	0.5	1.4 [0.049]	
TL3-M5M		M5X0.8	3	13.5	13.5							2.8 [0.099]
TL3-M6M		M6X1	3.9	14.5	13.6							
TL4-M3M	4	M3X0.5	2.5	14	15.5	8	11	15.1	8	1.3	3 [0.106]	
TL4-M5M		M5X0.8	3	13.5	14.5							2.2
TL4-M6M		M6X1	3.9	14.5	14.6					3.9	3.7 [0.131]	
TL4-01M		R1/8	8	16	16							10
TL6-M5M	6	M5X0.8	3	14.5	16.8	10.5	11.6	16	8	3.5	4.1 [0.145]	
TL6-M6M		M6X1	3.9	15.5	16.9							3.6
TL6-01M		R1/8	8	17	18.3					10	8.5	

Note: The L dimensions for the tapered thread type are the reference dimensions after the fittings are assembled.

**Long elbow
TLL**

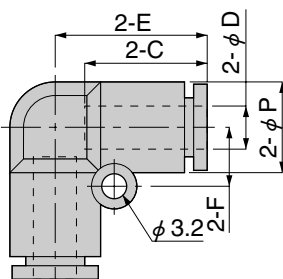


Metric thread type

Model	Tube outer diameter ϕD	R	A	B	L ^{Note}	ϕP	C	E	Width across flats H	Effective area (mm ²)	Mass (g) [oz.]
TLL3-M3M	3	M3X0.5	2.5	19	19.5	6	9.3	10.8	5.5	0.6	2.8 [0.099]
TLL4-M3M	4	M3X0.5	2.5	23	24.5	8	11	15.1	8	0.9	6.8 [0.240]
TLL4-M5M		M5X0.8	3	25	26						
TLL4-M6M		M6X1	3.9	26	26.1					3.7	8.4 [0.296]
TLL4-01M		R1/8	8	28.5	28.5						
TLL6-M5M	6	M5X0.8	3	26	28.5	10.5	11.6	16	8	3.3	9 [0.317]
TLL6-M6M		M6X1	3.9	27	28.4						
TLL6-01M		R1/8	8	29.5	30.8					10	7.6

Note: The L dimensions for the tapered thread type are the reference dimensions after the fittings are assembled.

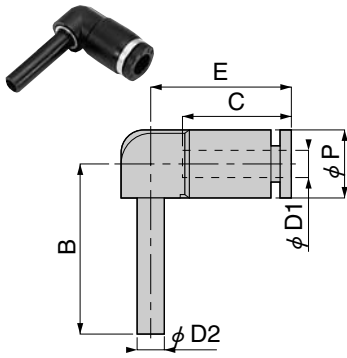
**Union elbow
UL**



Model	Tube outer diameter ϕD	ϕP	C	E	F	Effective area (mm ²)	Mass (g) [oz.]
UL3M	3	6	9.3	10.8	4.5	2.3	1.2 [0.042]
UL4M	4	8	11	13.1	5.6	4.8	2.3 [0.081]
UL6M	6	10.5	11.6	15	6.6	9	3.6 [0.127]

Socket elbow

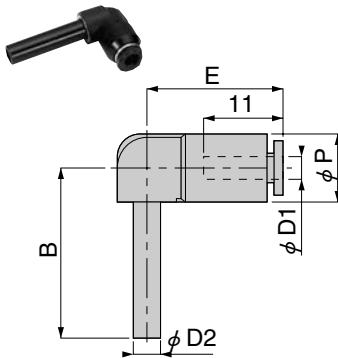
ULA



Model	Tube outer diameter ϕ D1	Applicable fitting diameter ϕ D2	B	ϕ P	C	E	Effective area (mm ²)	Mass (g) [oz.]
ULA3M	3	3	21.1	7	9.3	12.8	1.2	1.1 [0.039]
ULA4M	4	4	25	8	11	15	3.2	1.8 [0.063]
ULA6M	6	6	29.5	10.5	11.6	16.4	5.1	3.1 [0.109]

Different diameter socket elbow

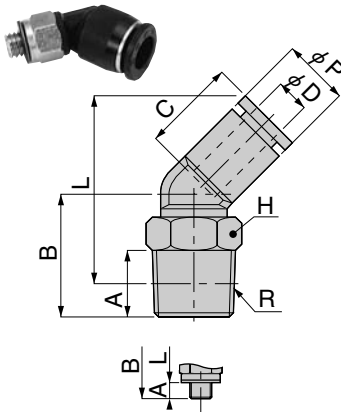
ULAD



Model	Tube outer diameter ϕ D1	Applicable fitting diameter ϕ D2	B	ϕ P	E	Effective area (mm ²)	Mass (g) [oz.]
ULAD4-3M	3	4	25	8	15	2.3	1.8 [0.063]
ULAD6-3M	3	6	29.5	10.5	16	2.4	2.9 [0.102]
ULAD6-4M	4					4.2	

45° elbow

TLV



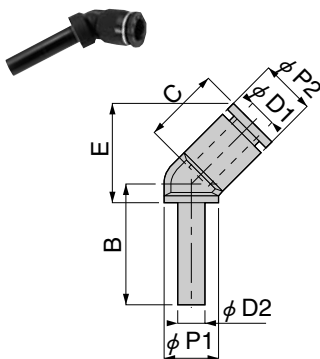
Metric thread type

Model	Tube outer diameter ϕ D1	R	A	B	L ^{Note}	ϕ P	C	Width across flats H	Effective area (mm ²)	Mass (g) [oz.]	
TLV4-M5M	4	M5X0.8	3	12.3	21.3	8	11	8	2.9	3.3 [0.116]	
TLV4-M6M		M6X1	3.9	13.3	21.4				4		3.6 [0.127]
TLV4-01M		R1/8	8	14.8	22.8				10		5
TLV6-M5M	6	M5X0.8	3	13.9	23.8	10.5	11.6	8	3.6	3.9 [0.138]	
TLV6-M6M		M6X1	3.9	14.9	23.9				3.8		4.2 [0.148]
TLV6-01M		R1/8	8	16.4	25.3				10		8.7

Note: The L dimensions for the tapered thread type are the reference dimensions after the fittings are assembled.

45° socket elbow

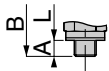
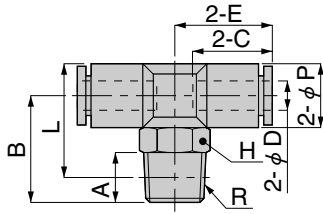
ULAV



Model	Tube outer diameter ϕ D1	Applicable fitting diameter ϕ D2	B	ϕ P1	ϕ P2	C	E	Effective area (mm ²)	Mass (g) [oz.]
ULAV4M	4	4	25.3	9.3	8	11	17.3	3.2	1.9 [0.067]
ULAV6M	6	6	28.5	10.4	10.5	11.6	20.8	5.1	3 [0.106]

Tee

TT



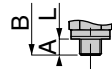
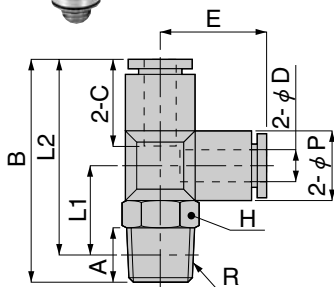
Metric thread type

Model	Tube outer diameter ϕD	R	A	B	L ^{Note}	ϕP	C	E	Width across flats H	Effective area (mm ²)	Mass (g) [oz.]		
TT3-M3M	3	M3X0.5	2.5	12	12.5	6	9.3	10.8	5.5	0.7	1.9 [0.067]		
TT3-M5M		M5X0.8	3	13.5	13.5							2	3.3 [0.116]
TT3-M6M		M6X1	3.9	14.5	13.6								
TT4-M3M	4	M3X0.5	2.5	15	16.5	8	11	12.5	8	1.4	3.9 [0.138]		
TT4-M5M		M5X0.8	3	14.5	15.5							3.7	4.3 [0.152]
TT4-M6M		M6X1	3.9	15.5	15.6								
TT4-01M		R1/8	8	17	17							4.6	7.2 [0.254]
TT6-M5M	6	M5X0.8	3	15.5	17.8	10.5	11.6	13.9	8	3.5	5.6 [0.198]		
TT6-M6M		M6X1	3.9	16.5	17.9							3.6	5.9 [0.208]
TT6-01M		R1/8	8	18	19.3								

Note: The L dimensions for the tapered thread type are the reference dimensions after the fittings are assembled.

Branch tee

TB



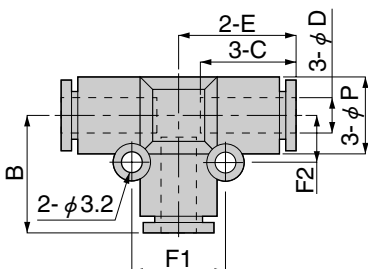
Metric thread type

Model	Tube outer diameter ϕD	R	A	B	L1 ^{Note}	L2 ^{Note}	ϕP	C	E	Width across flats H	Effective area (mm ²)	Mass (g) [oz.]		
TB3-M3M	3	M3X0.5	2.5	22.8	9.5	20.3	6	9.3	10.8	5.5	0.7	1.9 [0.067]		
TB3-M5M		M5X0.8	3	24.3	10.5	21.3							2.2	3.2 [0.113]
TB3-M6M		M6X1	3.9	25.3	10.6	21.4								
TB4-M3M	4	M3X0.5	2.5	28.1	12.5	25.6	8	11	13.1	8	0.9	4 [0.141]		
TB4-M5M		M5X0.8	3	27.6	11.5	24.6							2.1	4.4 [0.155]
TB4-M6M		M6X1	3.9	28.6	11.6	24.7								
TB4-01M		R1/8	8	30.1	13	26.1							4.6	7.3 [0.257]
TB6-M5M	6	M5X0.8	3	30.5	12.5	27.5	10.5	11.6	15	8	2.2	5.6 [0.198]		
TB6-M6M		M6X1	3.9	31.5	12.6	27.6							3.3	5.9 [0.208]
TB6-01M		R1/8	8	33	14	29								

Note: The L1 and L2 dimensions for the tapered thread type are the reference dimensions after the fittings are assembled.

Union Tee

UT



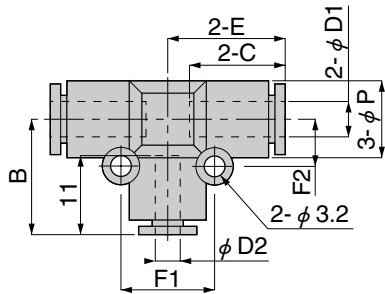
Model	Tube outer diameter ϕD	B	ϕP	C	E	F1	F2	Effective area (mm ²)	Mass (g) [oz.]
UT3M	3	10.8	6	9.3	10.8	9	4.5	1.9	1.7 [0.060]
UT4M	4	13.1	8	11	13.1	11.2	5.6	4.6	3.3 [0.116]
UT6M	6	15	10.5	11.6	14.95	13.2	6.6	8.9	5.3 [0.187]

Different diameter union tee

UTD



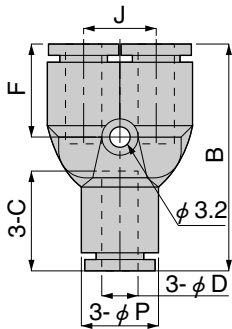
Model	Tube outer diameter ϕ D1	Tube outer diameter ϕ D2	B	ϕ P	C	E	F1	F2	Effective area (mm ²)	Mass (g) [oz.]
UTD4-3M	4	3	13.1	8	11	13.05	11.2	5.6	2.4	3.3 [0.116]
UTD6-4M	6	4	14.6	10.5	11.6	14.95	13.2	6.6	5.3	5.1 [0.180]



Union Y
UY



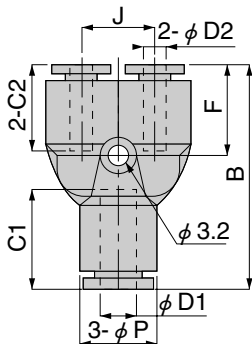
Model	Tube outer diameter ϕ D	B	ϕ P	C	J	F	Effective area (mm ²)	Mass (g) [oz.]
UY3M	3	28	8	9.3	8	12.8	2	2.7 [0.095]
UY4M	4	27.6	8	11	8	12.6	2.3	3.4 [0.120]
UY6M	6	31	10.5	11.6	10.5	14	6.8	5.5 [0.194]



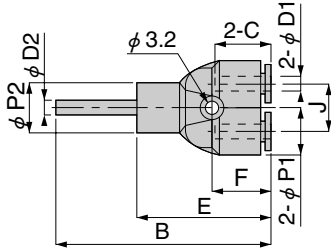
Different diameter union Y
UYD



Model	Tube outer diameter ϕ D1	Tube outer diameter ϕ D2	B	ϕ P	C1	C2	J	F	Effective area (mm ²)	Mass (g) [oz.]
UYD4-3M	4	3	27.8	8	11	9.3	8	12.8	2.1	3 [0.106]
UYD6-3M	6	3	30.6	10.5	11.6	11	10.5	13.6	2.5	5.3 [0.187]
UYD6-4M		4							4.2	

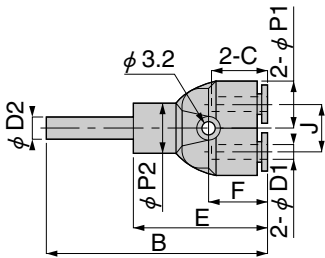


**Branch union Y
UB**



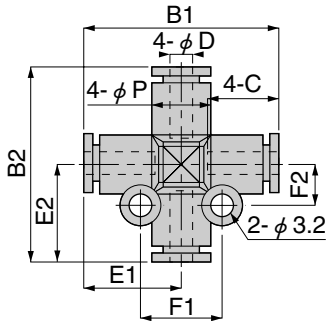
Model	Tube outer diameter ϕ D1	Applicable fitting diameter ϕ D2	B	ϕ P1	ϕ P2	C	E	F	J	Effective area (mm ²)	Mass (g) [oz.]
UB3M	3	3	42.8	8	8	9.3	25.2	12.8	8	0.8	2.6 [0.092]
UB4M	4	4	45	8	8	11	25	12.6	8	2.2	3.2 [0.113]
UB6M	6	6	50.3	10.5	10.5	11.6	28	14	10.5	5.6	5.4 [0.190]

**Different diameter
branch union Y
UBD**



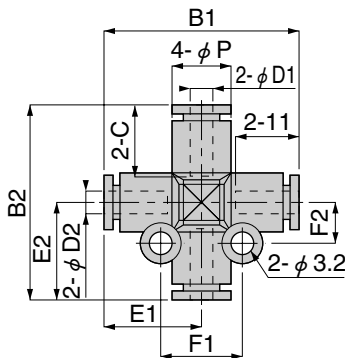
Model	Tube outer diameter ϕ D1	Applicable fitting diameter ϕ D2	B	ϕ P1	ϕ P2	C	E	F	J	Effective area (mm ²)	Mass (g) [oz.]
UBD4-3M	3	4	44.8	8	8	9.3	25.2	12.8	8	2.6	2.8 [0.099]
UBD6-3M	3	6	49.9	10.5	10.5	11	27.6	13.6	10.5	4.5	5.2 [0.183]
UBD6-4M	4									5.3	5.1 [0.180]

**Cross A
UXA**



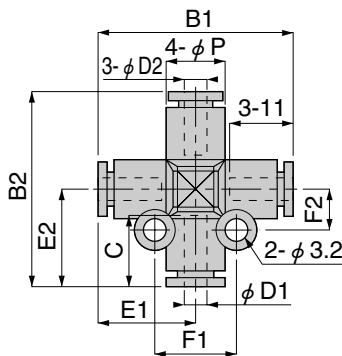
Model	Tube outer diameter ϕ D1	B1	B2	E1	E2	ϕ P	C	F1	F2	Effective area (mm ²)	Mass (g) [oz.]
UXA3M	3	26.1	26.1	13.05	13.05	8	11	11.2	5.6	2.2	4.6 [0.162]
UXA4M	4	26.1	26.1	13.05	13.05	8	11	11.2	5.6	4.8	4.3 [0.152]
UXA6M	6	29.9	29.9	14.95	14.95	10.5	11.6	13.2	6.6	8.8	6.7 [0.236]

**Cross B
UXB**



Model	Tube outer diameter ϕ D1	Tube outer diameter ϕ D2	B1	B2	E1	E2	ϕ P	C	F1	F2	Effective area (mm ²)	Mass (g) [oz.]
UXB4-3M	4	3	26.1	26.1	13.05	13.05	8	11	11.2	5.6	2.2	4.4 [0.155]
UXB6-4M	6	4	29.1	29.9	14.55	14.95	10.5	11.6	13.2	6.6	5.3	6.5 [0.229]

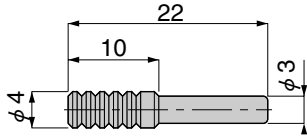
**Cross C
UXC**



Model	Tube outer diameter ϕ D1	Tube outer diameter ϕ D2	B1	B2	E1	E2	ϕ P	C	F1	F2	Effective area (mm ²)	Mass (g) [oz.]
UXC4-3M	4	3	26.1	26.1	13.05	13.05	8	11	11.2	5.6	2.2	4.4 [0.155]
UXC6-4M	6	4	29.1	29.5	14.55	14.95	10.5	11.6	13.2	6.6	4.9	6.3 [0.222]

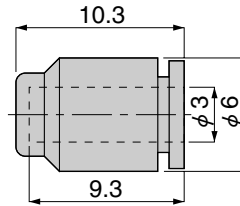
Dimensions (mm)

Plug UP3M



Mass:0.2g [0.007oz.]

Cap UC3M



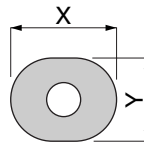
Mass:0.6 g [0.021 oz.]

● For the 4 mm and 6 mm sizes, plugs for the standard type quick fittings can be used.

● For the 4 mm and 6 mm sizes, caps for the standard type quick fittings can be used.

Release ring dimensions

The release ring for the quick fittings mini type is oval-shaped, as shown in the figure to the right (for smooth removal of tubes). As the dimensions of the release ring are not listed in dimension tables elsewhere in this catalog, see the release ring dimension table to the right.



		(mm)		
		Tube size		
Code	Tube size	φ 3	φ 4	φ 6
X		7	9.8	11.8
Y		6	7.8	9.8

Note: Be aware that some tubes with 3mm outer diameters have release rings of X = 9.8mm and Y = 7.8mm.

QUICK FITTINGS MINI TYPE

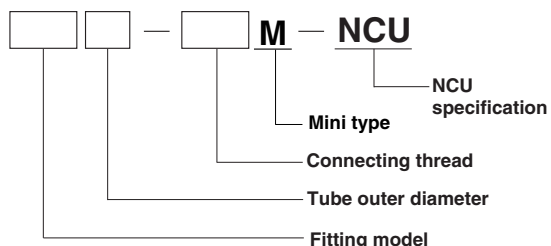
NCU Specification

- For the specifications, see p.321.
- The dimensions for the **NCU** specification shown below are the same as for the standard type.
See the dimensions on p.325~333.

Caution : For delivery, consult us.

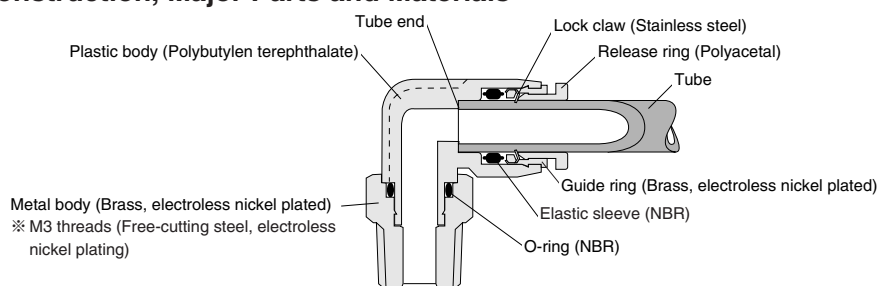
NCU Specification

● Order Codes



※ For the fitting models, the tube size and thread combinations, see the table below. Columns showing the “←” symbol indicate that standard products can be used as the NCU specification. In these cases, place orders for the standard products.

● Inner Construction, Major Parts and Materials



Note: The sealant is not applied to the R tapered thread portion of the NCU specification fittings.

● Model Table

Fitting type	Tube outer diameter	Thread	Standard type model (reference)	NCU specification model
Straight TS	3	M3×0.5	TS3-M3M	←
		M5×0.8	TS3-M5M	←
		M6×1	TS3-M6M	←
	4	M3×0.5	TS4-M3M	←
		M5×0.8	TS4-M5M	←
		M6×1	TS4-M6M	←
		R1/8	TS4-01M	TS4-01M-NCU
	6	M5×0.8	TS6-M5M	←
		M6×1	TS6-M6M	←
R1/8		TS6-01M	TS6-01M-NCU	
Straight with hexagon socket TSH	3	M3×0.5	TSH3-M3M	←
		M5×0.8	TSH3-M5M	←
	4	M3×0.5	TSH4-M3M	←
		M5×0.8	TSH4-M5M	←
		M6×1	TSH4-M6M	←
	6	R1/8	TSH4-01M	TSH4-01M-NCU
		M5×0.8	TSH6-M5M	←
		M6×1	TSH6-M6M	←
	6	R1/8	TSH6-01M	TSH6-01M-NCU
3		M6×0.75	TSK3-M6M	←
		4	M6×0.75	TSK4-M6M
	M8×0.75		TSK4-M8M	←
6	M8×0.75	TSK6-M8M	←	
	3	M3×0.5	TSM3-M3M	←
		M5×0.8	TSM3-M5M	←
4	M3×0.5	TSM4-M3M	←	
	M5×0.8	TSM4-M5M	←	
Union straight US	3	—	US3M	←
	4	—	US4M	←
	6	—	US6M	←
Different diameter union USD	4-3	—	USD4-3M	←
	6-4	—	USD6-4M	←

Fitting type	Tube outer diameter	Thread	Standard type model (reference)	NCU specification model
Union for bulkhead UK	3	—	UK3M	←
	4	—	UK4M	←
	6	—	UK6M	←
Reducer UR	3-4	—	UR4-3M	←
	3-6	—	UR6-3M	←
	4-6	—	UR6-4M	←
Elbow TL	3	M3×0.5	TL3-M3M	←
		M5×0.8	TL3-M5M	←
		M6×1	TL3-M6M	←
	4	M3×0.5	TL4-M3M	←
		M5×0.8	TL4-M5M	←
		M6×1	TL4-M6M	←
	6	R1/8	TL4-01M	TL4-01M-NCU
		M5×0.8	TL6-M5M	←
		M6×1	TL6-M6M	←
6	R1/8	TL6-01M	TL6-01M-NCU	
	3	M3×0.5	TLL3-M3M	←
		4	M3×0.5	TLL4-M3M
M5×0.8			TLL4-M5M	←
M6×1			TLL4-M6M	←
6	R1/8	TLL4-01M	TLL4-01M-NCU	
	M5×0.8	TLL6-M5M	←	
	M6×1	TLL6-M6M	←	
	R1/8	TLL6-01M	TLL6-01M-NCU	
Union elbow UL	3	—	UL3M	←
	4	—	UL4M	←
	6	—	UL6M	←
Socket elbow ULA	3	—	ULA3M	←
	4	—	ULA4M	←
	6	—	ULA6M	←

NCU Specification

Model Table

Fitting type	Tube outer diameter	Thread	Standard type model (reference)	NCU specification model	
Different diameter socket elbow ULAD	3-4	----	ULAD4-3M	←	
	3-6	----	ULAD6-3M	←	
	4-6	----	ULAD6-4M	←	
45° elbow TLV	4	M5×0.8	TLV4-M5M	←	
		M6×1	TLV4-M6M	←	
		R1/8	TLV4-01M	TLV4-01M-NCU	
	6	M5×0.8	TLV6-M5M	←	
		M6×1	TLV6-M6M	←	
		R1/8	TLV6-01M	TLV6-01M-NCU	
45° socket elbow ULAV	4	----	ULAV4M	←	
	6	----	ULAV6M	←	
Tee TT	3	M3×0.5	TT3-M3M	←	
		M5×0.8	TT3-M5M	←	
		M6×1	TT3-M6M	←	
	4	M3×0.5	TT4-M3M	←	
		M5×0.8	TT4-M5M	←	
		M6×1	TT4-M6M	←	
		R1/8	TT4-01M	TT4-01M-NCU	
	6	M5×0.8	TT6-M5M	←	
		M6×1	TT6-M6M	←	
		R1/8	TT6-01M	TT6-01M-NCU	
	Branch tee TB	3	M3×0.5	TB3-M3M	←
			M5×0.8	TB3-M5M	←
M6×1			TB3-M6M	←	
4		M3×0.5	TB4-M3M	←	
		M5×0.8	TB4-M5M	←	
		M6×1	TB4-M6M	←	
		R1/8	TB4-01M	TB4-01M-NCU	
6		M5×0.8	TB6-M5M	←	
		M6×1	TB6-M6M	←	
		R1/8	TB6-01M	TB6-01M-NCU	

Fitting type	Tube outer diameter	Thread	Standard type model (reference)	NCU specification model
Union tee UT	3	----	UT3M	←
	4	----	UT4M	←
	6	----	UT6M	←
Different diameter union tee UTD	4-3	----	UTD4-3M	←
	6-4	----	UTD6-4M	←
Union Y UY	3	----	UY3M	←
	4	----	UY4M	←
	6	----	UY6M	←
Different diameter union Y UYD	4-3	----	UYD4-3M	←
	6-3	----	UYD6-3M	←
	6-4	----	UYD6-4M	←
Branch union Y UB	3	----	UB3M	←
	4	----	UB4M	←
	6	----	UB6M	←
Different diameter branch union Y UBD	3-4	----	UBD4-3M	←
	3-6	----	UBD6-3M	←
	4-6	----	UBD6-4M	←
Cross A UXA	3	----	UXA3M	←
	4	----	UXA4M	←
	6	----	UXA6M	←
Cross B UXB	4-3	----	UXB4-3M	←
	6-4	----	UXB6-4M	←
Cross C UXC	4-3	----	UXC4-3M	←
	6-4	----	UXC6-4M	←
Plug UP	3	----	UP3M	←
Cap UC	3	----	UC3M	←

QUICK FITTINGS MINI TYPE

Non-lubricant Specification

Non-lubricant Specification

Order Codes



※ For the fitting models, tube size and thread combinations, see the table below.
Columns showing the “←” symbol indicate that standard products can be used as the non-lubricant specification. In these cases, place orders for the standard products.

Model Table

Fitting type	Tube outer diameter	Thread	Standard type model (reference)	Non-lubricant specification model
Straight TS	3	M3×0.5	TS3-M3M	TS3-M3M-D
		M5×0.8	TS3-M5M	TS3-M5M-D
		M6×1	TS3-M6M	TS3-M6M-D
	4	M3×0.5	TS4-M3M	TS4-M3M-D
		M5×0.8	TS4-M5M	TS4-M5M-D
		M6×1	TS4-M6M	TS4-M6M-D
		R1/8	TS4-01M	TS4-01M-D
	6	M5×0.8	TS6-M5M	TS6-M5M-D
		M6×1	TS6-M6M	TS6-M6M-D
R1/8		TS6-01M	TS6-01M-D	
Straight with hexagon socket TSH	3	M3×0.5	TSH3-M3M	TSH3-M3M-D
		M5×0.8	TSH3-M5M	TSH3-M5M-D
	4	M3×0.5	TSH4-M3M	TSH4-M3M-D
		M5×0.8	TSH4-M5M	TSH4-M5M-D
		M6×1	TSH4-M6M	TSH4-M6M-D
		R1/8	TSH4-01M	TSH4-01M-D
	6	M5×0.8	TSH6-M5M	TSH6-M5M-D
		M6×1	TSH6-M6M	TSH6-M6M-D
		R1/8	TSH6-01M	TSH6-01M-D
Cartridge TSK	3	M6×0.75	TSK3-M6M	TSK3-M6M-D
	4	M6×0.75	TSK4-M6M	TSK4-M6M-D
		M8×0.75	TSK4-M8M	TSK4-M8M-D
6	M8×0.75	TSK6-M8M	TSK6-M8M-D	
Female straight TSM	3	M3×0.5	TSM3-M3M	TSM3-M3M-D
		M5×0.8	TSM3-M5M	TSM3-M5M-D
	4	M3×0.5	TSM4-M3M	TSM4-M3M-D
M5×0.8		TSM4-M5M	TSM4-M5M-D	
Union straight US	3	—	US3M	US3M-D
	4	—	US4M	US4M-D
	6	—	US6M	US6M-D
Different diameter union USD	4-3	—	USD4-3M	USD4-3M-D
	6-4	—	USD6-4M	USD6-4M-D
Union for bulkhead UK	3	—	UK3M	UK3M-D
	4	—	UK4M	UK4M-D
	6	—	UK6M	UK6M-D
Reducer UR	3-4	—	UR4-3M	UR4-3M-D
	3-6	—	UR6-3M	UR6-3M-D
	4-6	—	UR6-4M	UR6-4M-D

● For the specifications, see p.321.

● The dimensions, inner construction, major parts and materials for the non-lubricant specification shown below are the same as the standard type. See the inner construction, major parts and materials on p.321, and see the dimensions on p.325~333.

Caution: For delivery, consult us.

Fitting type	Tube outer diameter	Thread	Standard type model (reference)	Non-lubricant specification model
Elbow TL	3	M3×0.5	TL3-M3M	TL3-M3M-D
		M5×0.8	TL3-M5M	TL3-M5M-D
		M6×1	TL3-M6M	TL3-M6M-D
	4	M3×0.5	TL4-M3M	TL4-M3M-D
		M5×0.8	TL4-M5M	TL4-M5M-D
		M6×1	TL4-M6M	TL4-M6M-D
		R1/8	TL4-01M	TL4-01M-D
	6	M5×0.8	TL6-M5M	TL6-M5M-D
		M6×1	TL6-M6M	TL6-M6M-D
R1/8		TL6-01M	TL6-01M-D	
Long elbow TLL	3	M3×0.5	TLL3-M3M	TLL3-M3M-D
		M5×0.8	TLL4-M3M	TLL4-M3M-D
	4	M5×0.8	TLL4-M5M	TLL4-M5M-D
		M6×1	TLL4-M6M	TLL4-M6M-D
		R1/8	TLL4-01M	TLL4-01M-D
	6	M5×0.8	TLL6-M5M	TLL6-M5M-D
		M6×1	TLL6-M6M	TLL6-M6M-D
		R1/8	TLL6-01M	TLL6-01M-D
	Union elbow UL	3	—	UL3M
4		—	UL4M	UL4M-D
6		—	UL6M	UL6M-D
Socket elbow ULA	3	—	ULA3M	ULA3M-D
	4	—	ULA4M	ULA4M-D
	6	—	ULA6M	ULA6M-D
Different diameter socket elbow ULAD	3-4	—	ULAD4-3M	ULAD4-3M-D
	3-6	—	ULAD6-3M	ULAD6-3M-D
	4-6	—	ULAD6-4M	ULAD6-4M-D
45° elbow TLV	4	M5×0.8	TLV4-M5M	TLV4-M5M-D
		M6×1	TLV4-M6M	TLV4-M6M-D
		R1/8	TLV4-01M	TLV4-01M-D
	6	M5×0.8	TLV6-M5M	TLV6-M5M-D
		M6×1	TLV6-M6M	TLV6-M6M-D
		R1/8	TLV6-01M	TLV6-01M-D
45° socket elbow ULAV	4	—	ULAV4M	ULAV4M-D
	6	—	ULAV6M	ULAV6M-D

Non-lubricant Specification

● Model Table

Fitting type	Tube outer diameter	Thread	Standard type model (reference)	Non-lubricant specification model
Tee TT	3	M3×0.5	TT3-M3M	TT3-M3M-D
		M5×0.8	TT3-M5M	TT3-M5M-D
		M6×1	TT3-M6M	TT3-M6M-D
	4	M3×0.5	TT4-M3M	TT4-M3M-D
		M5×0.8	TT4-M5M	TT4-M5M-D
		M6×1	TT4-M6M	TT4-M6M-D
		R1/8	TT4-01M	TT4-01M-D
	6	M5×0.8	TT6-M5M	TT6-M5M-D
		M6×1	TT6-M6M	TT6-M6M-D
R1/8		TT6-01M	TT6-01M-D	
Branch tee TB	3	M3×0.5	TB3-M3M	TB3-M3M-D
		M5×0.8	TB3-M5M	TB3-M5M-D
		M6×1	TB3-M6M	TB3-M6M-D
	4	M3×0.5	TB4-M3M	TB4-M3M-D
		M5×0.8	TB4-M5M	TB4-M5M-D
		M6×1	TB4-M6M	TB4-M6M-D
		R1/8	TB4-01M	TB4-01M-D
	6	M5×0.8	TB6-M5M	TB6-M5M-D
		M6×1	TB6-M6M	TB6-M6M-D
R1/8		TB6-01M	TB6-01M-D	
Union Tee UT	3	----	UT3M	UT3M-D
	4	----	UT4M	UT4M-D
	6	----	UT6M	UT6M-D
Different diameter union tee UTD	4-3	----	UTD4-3M	UTD4-3M-D
	6-4	----	UTD6-4M	UTD6-4M-D
Union Y UY	3	----	UY3M	UY3M-D
	4	----	UY4M	UY4M-D
	6	----	UY6M	UY6M-D
Different diameter union Y UYD	4-3	----	UYD4-3M	UYD4-3M-D
	6-3	----	UYD6-3M	UYD6-3M-D
	6-4	----	UYD6-4M	UYD6-4M-D
Branch union Y UB	3	----	UB3M	UB3M-D
	4	----	UB4M	UB4M-D
	6	----	UB6M	UB6M-D
Different diameter branch union Y UBD	3-4	----	UBD4-3M	UBD4-3M-D
	3-6	----	UBD6-3M	UBD6-3M-D
	4-6	----	UBD6-4M	UBD6-4M-D
Cross A UXA	3	----	UXA3M	UXA3M-D
	4	----	UXA4M	UXA4M-D
	6	----	UXA6M	UXA6M-D
Cross B UXB	4-3	----	UXB4-3M	UXB4-3M-D
	6-4	----	UXB6-4M	UXB6-4M-D
Cross C UXC	4-3	----	UXC4-3M	UXC4-3M-D
	6-4	----	UXC6-4M	UXC6-4M-D
Plug UP		----	UP3M	←
Cap UC	3	----	UC3M	UC3M-D

Safety Precautions (Quick Fittings Mini Type for φ3 to φ6 Tubes)

The following is a safety precaution to Quick Fittings Mini Type. For other safety precautions, be sure to read the precautions on p.49.

Warning

- With the exception of the quick fittings rotary type, do not use any quick fittings in locations where thread portions or tubes are subject to swing or rotation. The swing or rotation could result in damage to the fitting body.

Handling Instructions and Precautions

● Mounting

Precautions for mounting the body

1. To mount the body, use a suitable tool to tighten it to the outer or inner hexagonal section of the fitting.
2. When tightening threads, tighten to the recommended tightening torque shown in the table below. Tightening to more than the recommended torque could result in broken threads or air leaks due to deformed gaskets. Tightening to less than the recommended torque could lead to loose threads or air leaks.
3. For fittings with fixed piping direction, tighten to the desired piping direction, and then adjust so that it falls within the range of the body tightening torque.

Recommended tightening torque, sealant color, and gasket material

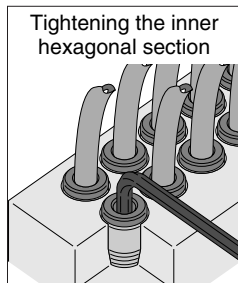
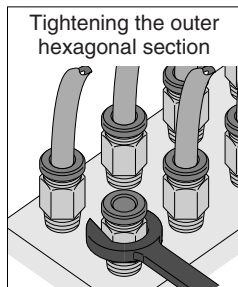
Thread type	Thread	Tightening torque	Sealant color	Gasket material
Metric thread	M3×0.5	0.7 N·m [6.2 in·lbf]	—	SUS304 NBR
	M5×0.8	1.0~1.5 N·m [8.9~13.3 in·lbf]		
	M6×1	1.8~2.3 N·m [15.9~20.4 in·lbf]		
	M6×0.75	0.8~1 N·m [7.1~8.9 in·lbf]		
	M8×0.75	1~2 N·m [8.9~17.7 in·lbf]		
Taper pipe thread	R1/8	7~9 N·m [62.0~79.7 in·lbf]	White	—

Precautions for disconnecting the body

1. To disconnect the body, use a suitable tool to loosen it from the outer or inner hexagonal section of the body.
2. Clean off the sealant coating on the thread of the removed mating part. The coated sealant could enter other relating parts, and cause breakdowns.

Method for tightening screws

For tightening screws, use either a wrench or an impact wrench on outer hexagonal sections, and for inner hexagonal sections, use an Allen wrench (enables to reduce the space between fittings).

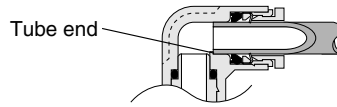


- Cautions:**
1. Because the Quick Fitting Mini Type is compact and lightweight, avoid uses that subject it to external forces. Excessive bending or pulling force could damage the fittings.
 2. Use the tightening torque shown in the table above, and avoid applying excessive tightening torque.
 3. While the R1/8 size sealant can be reused a number of times, the thread on the mating part may also be adhered with sealant. Always clean out the inside of the device's female thread.

● Tube connection and disconnection

Precautions for connecting the tube

1. Check that the cut section of the tube has been cut at straight angle, that the outer surface of the tube is not scratched, and that the tube has not become oval shaped.
2. When connecting a tube, failure to insert the tube all the way to the end could result in air leaks.



3. After connection, pull the tube to check that it will not disconnect.

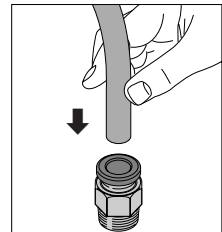
Precautions for disconnecting the tube

1. Before disconnecting a tube, check that the pressure inside the tube is down to zero.
2. Push the release ring evenly all the way to the end, and then pull the tube out. An insufficient push could make it impossible to pull the tube out, or could scratch the tube, leaving scratched tube material inside the fitting.

Tube connection and disconnection method

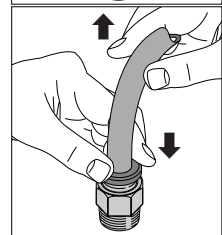
1. Tube connection

The Quick Fitting Mini Type is equipped with a lock claw that holds the tube in place when it has been pushed all the way to the end, and with an elastic sleeve for sealing the tube periphery.



2. Tube disconnection

To disconnect the tube, first push on the release ring, releasing the lock claw, and then pull the tube out. Always stop the air supply before removing the tube.



For cases where tight or cramped piping spaces hinder tube removal operations, a special tool is available. Consult us for details.

Special tool for tube removal

For ϕ 3 [0.118 in.], ϕ 4 [0.157 in.] and ϕ 6 [0.236 in.] tubes
Order code : **UJ-1**



For ϕ 6 [0.236 in.], ϕ 8 [0.315 in.],
 ϕ 10 [0.394 in.] and ϕ 12 [0.472 in.] tubes
Order code : **UJ-2**



Handling Instructions and Precautions

● Usable tubes

Either nylon or urethane tubes can be used. The tube outer diameter accuracy should be, for nylon tubes, within ± 0.1 mm [± 0.004 in.] of the nominal dimensions, and for urethane tubes, within ± 0.15 mm [± 0.006 in.] of the nominal dimensions, while the ovalness (difference between long diameter and short diameter) should be within 0.2 mm [0.008 in.].

- Cautions:**
1. Use tubes with no visible scratches on the outer surface. If a scratch is made during repeated use, cut off the scratched portion.
 2. Do not bend or twist the tube too much near the connection to the fitting. It could result in air leaks. The minimum bending radius for nylon tubes is as shown in the table below.

mm [in.]	
Tube size	Minimum bending radius
ϕ 3 [0.118]	18 [0.7]
ϕ 4 [0.157]	20 [0.8]
ϕ 6 [0.236]	30 [1.2]